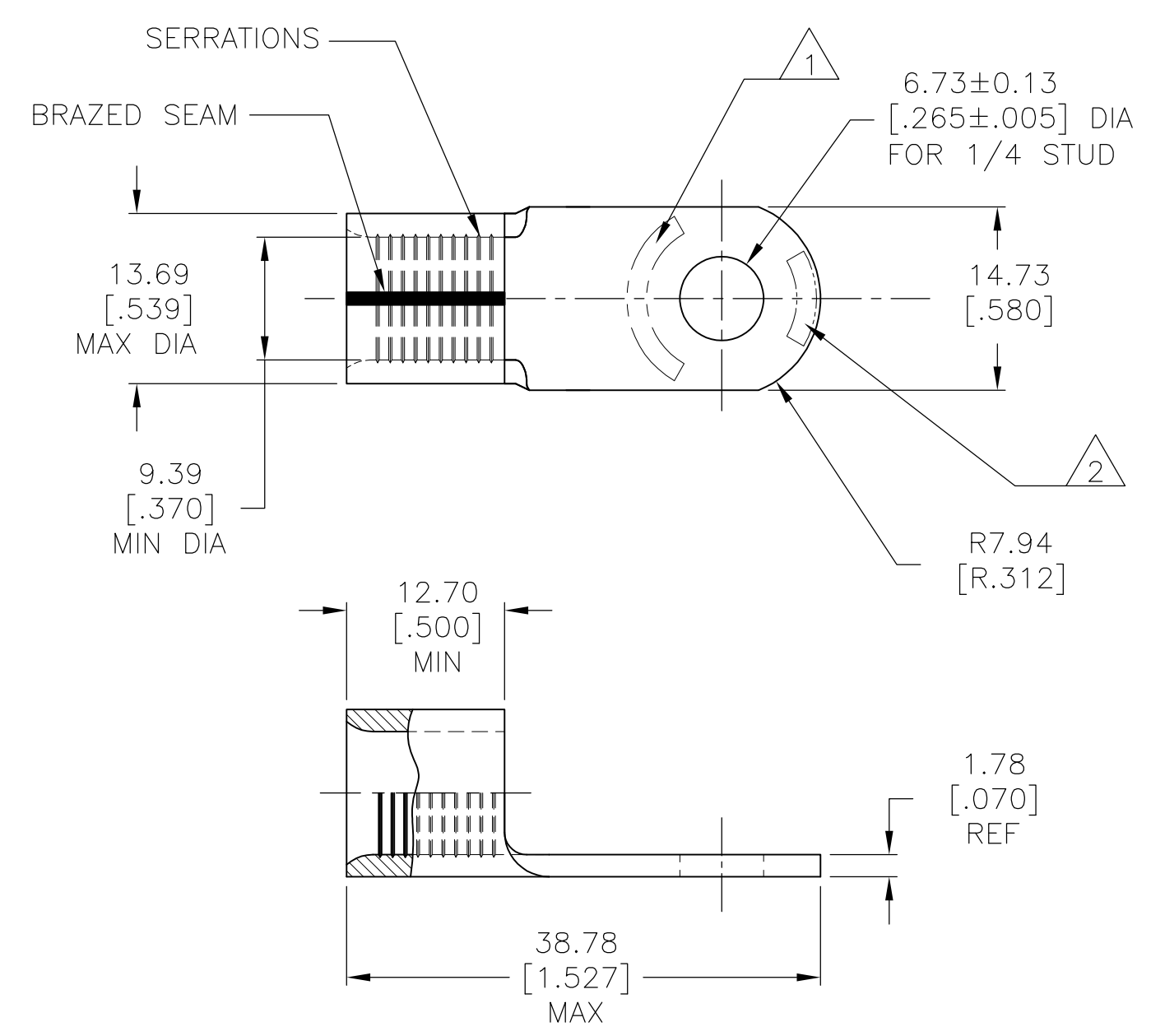


THIS DRAWING IS UNPUBLISHED.      RELEASED FOR PUBLICATION  
 © COPYRIGHT - By -      ALL RIGHTS RESERVED.

LOC	DIST	REVISIONS					
G	14	P	LTR	DESCRIPTION	DATE	DWN	APVD
			B1	REVISED PER ECO-15-006978	06JUN2015	NK	MM



**AMP**  
WIRE RANGE

2 AWG  
SOLID OR STRANDED

- △1 STAMP AMP 2W\* APPROX AS SHOWN.
- △2 STAMP 60-75 APPROX AS SHOWN.
- △4 COPPER PER ASTM B152.
- △5 TIN PLATING PER ASTM B545.
- △6 PRE-PRODUCTION - FASR REQUIRED.

△6 1958178-1  
PART NO.

<b>AMP INCORPORATED CUSTOMER SERVICE SYSTEMS</b>		MAX RECOMMENDED OPERATING TEMPERATURE: 170°C[338°F]	THIS DRAWING IS A CONTROLLED DOCUMENT.		DWN JR RUTH 19DEC07	<b>STE</b> TE Connectivity					
FOR ADDITIONAL PRODUCT INFORMATION OR COPIES OF DRAWINGS AND TECHNICAL DOCUMENTS	PRODUCT INFORMATION CENTER 1-800-522-6752	VOLTAGE RATING: N/A	DIMENSIONS: mm [INCHES]	TOLERANCES UNLESS OTHERWISE SPECIFIED:	CHK MIKE SPICER 19DEC07				NAME TERMINAL, RING TONGUE, SOLISTRAND		
FOR APPLICATION TOOLING INFORMATION	TOOLING ASSISTANCE CENTER 1-800-722-1111	CIRCULAR MIL AREA: 26.7-42.4mm²[52,600-83,700] SOLID OR STRANDED		0 PLC ± - 1 PLC ± - 2 PLC ± 0.20[.008] 3 PLC ± - 4 PLC ± - ANGLES ± -	APVD MIKE SPICER 19DEC07	APPLICATION SPEC	SIZE	CAGE CODE	DRAWING NO	RESTRICTED TO	
FOR ORDER ENTRY	1-800-526-5142		MATERIAL △4	FINISH △5	PRODUCT SPEC	—	A3	00779	C-1958178	—	
					WEIGHT	—	CUSTOMER DRAWING		SCALE 2:1	SHEET 1 OF 1	REV B1