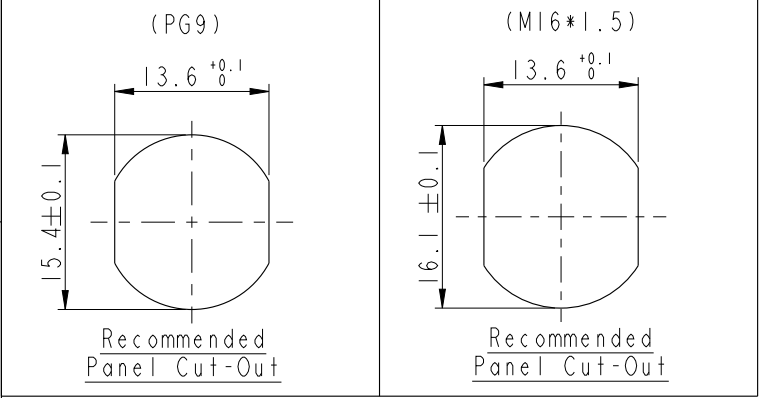
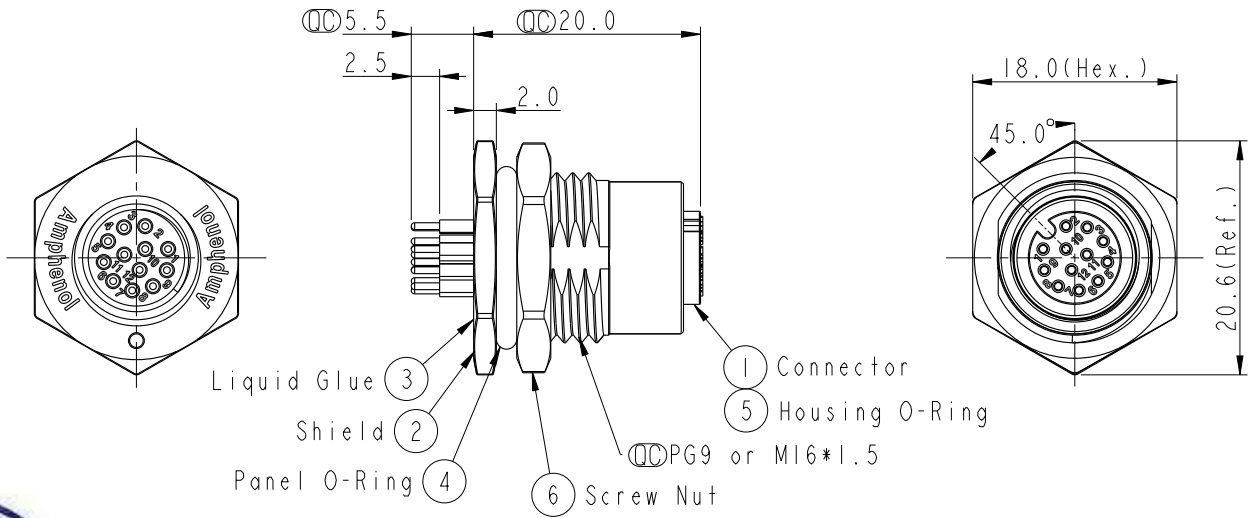


THIS DOCUMENT IS SUBJECT TO CHANGE WITHOUT NOTICE. IT IS CONFIDENTIAL AND A PROPERTY OF Amphenol LTW. DISCLOSURE TO THIRD PARTY HAS TO BE AUTHORIZED BY Amphenol LTW.

REV.	ECN NO.	DATE	SIGN	DESCRIPTION
B	LENI570228-233 LE31570204-209	2015/07/20	Yulong_wang	Change to Share Drawing.
C	LENI680390-401	2016/08/08	Yulong_wang	Add 6Pin & IP69K.



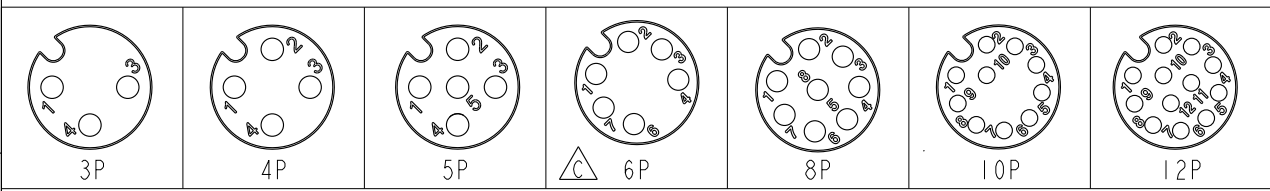
△



ALTW
CONFIDENTIAL
 2016-08-08
R&D DEPT.

ALTW
 DCC. DEPT.
 CONFIDENTIAL
 2016.08.12
ISSUED

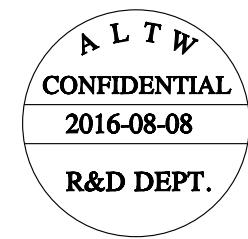
- Note:
- * ∅ Important Dimension.
 - * △ Waterproof Rate: IP68, IP69K.
 - * Housing: Nylon+GF, Black.
 - * Female Pin: Copper Alloy, Gold Plated.
 - * Shield: Zinc Alloy, Nickel Plated.
 - * Screw Nut: Zinc Alloy, Nickel Plated.
 - * Panel O-Ring: Viton, Black.
 - * Housing O-Ring: Viton, Green.
 - * Rated Voltage: 3 & 4Pin 250V dc. or ac.
5Pin 60V dc. or ac.
6~12Pin 30V dc. or ac.
 - * Rated Current: 3~5Pin 4A
6~8Pin 2A
10~12Pin 1.5A
 - * Operating Temperature: -40~105°C
 - * For Panel Thickness Max 4.5mm.
 - * Recommended Nut Torque: 4-6 Kgf.cm.



Pin Assignment Front View

UNIT: mm		TITLE MI2 A-Code Female Conn. PCB Type Unshielded			<h1 style="margin: 0;">Amphenol LTW</h1> <p style="margin: 0;">安費諾亮泰企業股份有限公司</p>	ITEM NO	DRAWN BY	DATE
		TOLERANCE .X ±0.25 .XX ±0.1 .XXX ±0.05 ANGLES ±1°	SCALE 2:1	SIZE A4		SHEET 1 OF 2	DWG NO MI2A-XXPFFP-SF8XXX	CHECKED BY Jinhai
		REV. C	WC-REV. A.5	∅ : Inspection item	CUSTOMER ALTW	APPROVED BY Jerry	DATE 2016-08-08	

THIS DOCUMENT IS SUBJECT TO CHANGE WITHOUT NOTICE. IT IS CONFIDENTIAL AND A PROPERTY OF Amphenol LTW. DISCLOSURE TO THIRD PARTY HAS TO BE AUTHORIZED BY Amphenol LTW.



M 12A - XX P F F P - S F 8 XXX

12A: A-Code

03: 3Pin
04: 4Pin
05: 5Pin
06: 6Pin
08: 8Pin
10: 10Pin
12: 12Pin

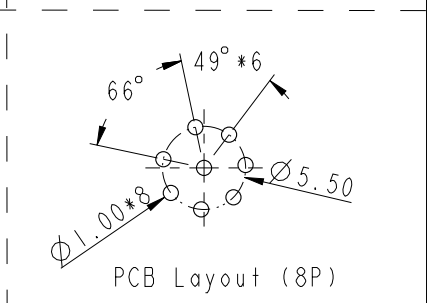
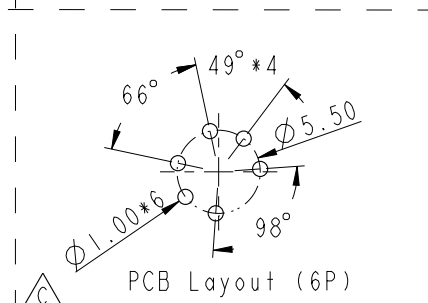
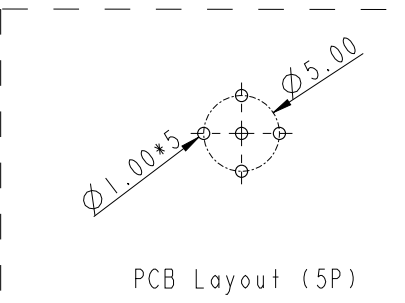
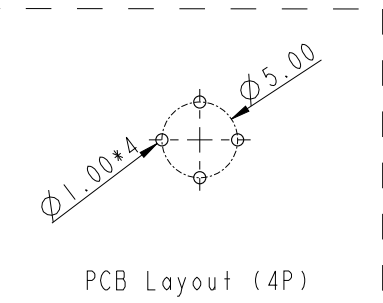
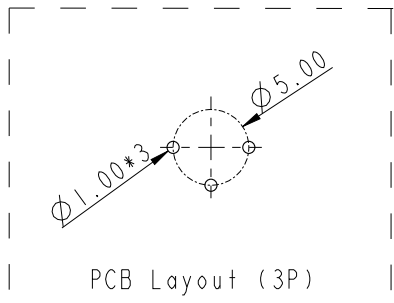
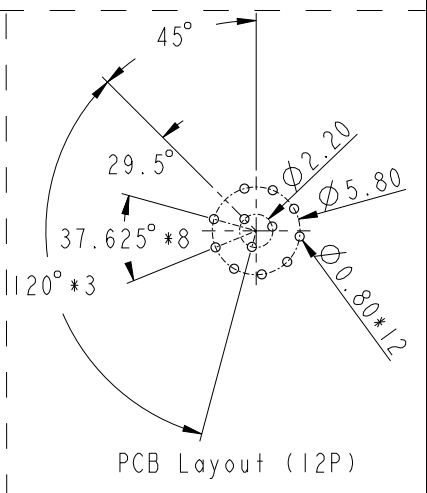
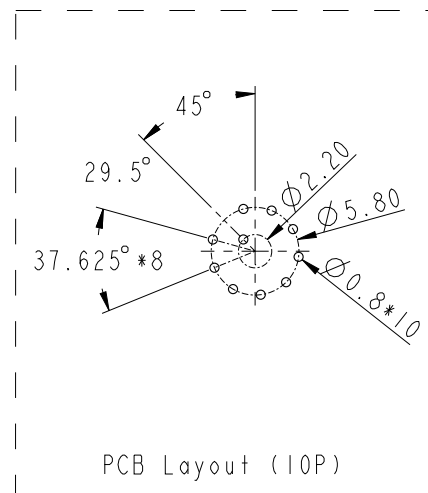
P: Panel (板端)
F: Female Connector (母座)

001: PG9
002: M16*1.5

8: IP68/69K (防水等級68/69K)

F: Front Fasten (前鎖式/Enclosure Rear Mount)
S: Screw (螺紋式)

P: PCB THT/DIP Type (180° 基板插件式)
F: Female Pin (母Pin)



UNIT: mm		
TOLERANCE	.X ±0.25	.XX ±0.1
	.XXX ±0.05	ANGLES ±1°

TITLE M12 A-Code Female Conn. PCB Type Unshielded			
SCALE 2:1	SIZE A4	SHEET 2 OF 2	
REV. C	WC-REV. A.4	QC: Inspection item	

Amphenol LTW
安費諾亮泰企業股份有限公司

ITEM NO	DWG NO	CUSTOMER
	M12A-XXPFFP-SF8XXX	ALTW

DRAWN BY Yulong_wang	CHECKED BY Jinhai	APPROVED BY Jerry
-------------------------	----------------------	----------------------

DATE 2016-08-08	DATE 2016-08-08	DATE 2016-08-08
--------------------	--------------------	--------------------