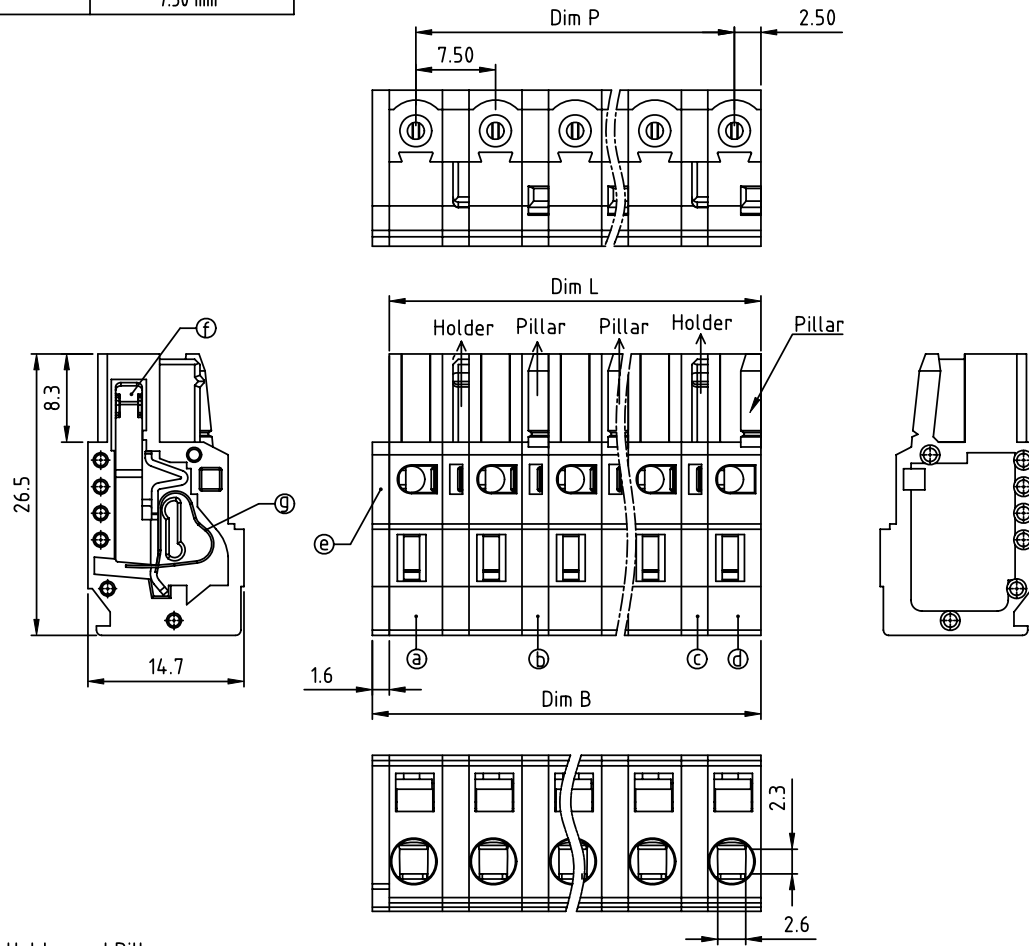


PRODUCT NUMBER	PITCH
Hlxx21x000J0G	7.50 mm



Material:

- ItemⒶ Terminal housing: Thermoplastic (UL94V-0)
- ItemⒷ Pad board(With pillar): Thermoplastic (UL94V-0)
- ItemⒸ Pad board(With holder): Thermoplastic (UL94V-0)
- ItemⒹ Terminal housing(With pillar): Thermoplastic (UL94V-0)
- ItemⒺ Terminal cover: Thermoplastic (UL94V-0)
- ItemⒻ Femlale contact: PhBz.Tin plated
- ItemⒼ Spring Clamp: Stainless steel

Electrical:

- Voltage rating: 300 V
- Current rating: 8 A (mated with NC and NB series)
- Wire range:
- Solid wire(AWG): 12-28
- Stranded wire(AWG): 12-28
- Wire strip length: 8-9 mm
- Withstanding Voltage: 1.6KV
- Operating temperature: -40°C to +115°C

Layout of Holder and Pillar:

2P	Holder+Pillar
3P	Holder+Holder+Pillar
4P	Holder+Pillar+Holder+Pillar
5P	Holder+Pillar+Pillar+Holder+Pillar
5P over	Holder+Pillar+...+Pillar+Holder+Pillar

DIMENSION

Dim L=N×7.5-2.5
Dim P=(N-1)×7.5
Dim B=N×7.5-0.9

N=Number of poles

Poles	Tolerance
2P-4P	±0.15
5P-8P	±0.25
9P-12P	±0.30
13P-16P	±0.40

PART NO.: **HI xx 21 x 0 00J0 G**

- End stackable 0
- No. of poles 2
- 02 2 poles 3
- 03 3 poles 4
- ... .. 5
- 16 16 poles 6
- Color Black (RAL9005)
- Red (RAL3001/D)
- Orange(RAL2011/P)
- Yellow(RAL1018/A)
- Green(RAL6018/T)
- Blue (RAL5015/A)
- 8 Grey(RAL7035/D)
- 9 White(RAL1102)
- C Green(RAL6018/U)
- RoHS compliant (lead<4%) In copper Alloy

mat'l. code		surface ASME Y14.5 ✓	tolerance ASME Y14.5	projection	product family
ltr	ecn no	dr	date	⊕	TERMINAL BLOCK
				tolerances unless otherwise specified	title
				angles	TERMINAL BLOCK
				X±0.5	SPRING CLAMP, PLUGGABLE PLUG,
				X.X±0.3	100% PROTECTED AGAINST MISMATING
				X*±1*	scale
				dr	EVIN ZHONG 051414
				enrg	EVIN ZHONG 051414
				chr	HANKE FENG 051414
				appd	SHI JUN 051414
sheet index	revision	A		FCI	dwg no
	sheet	1			Hlxx21x000J0G
				sheet 1 of 1	size
				A4	
				type	CUSTOMER Drawing