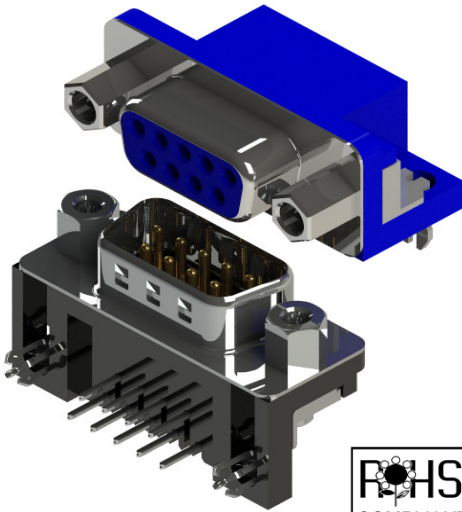




# SERIES 621/622: D-SUB CONNECTOR

Plug and Receptacle, Right Angle, .318" (8.08mm) Footprint

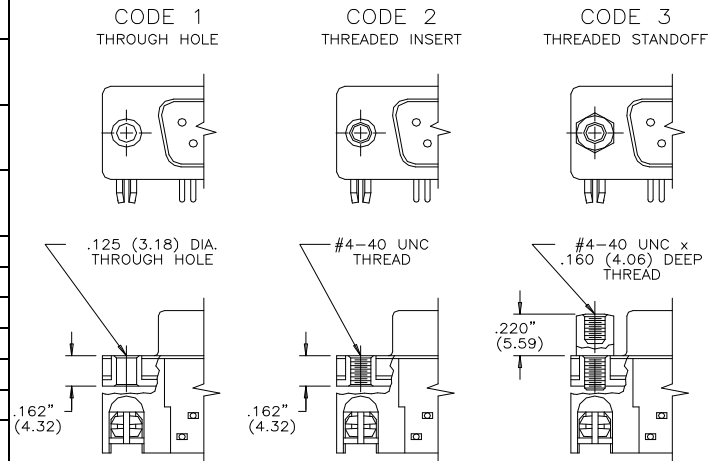


- Two Contact Rows with .318" (8.08mm) Footprint Right Angle Bend
- .109" (2.77mm) Contact Spacing X .112" (2.82mm) Row Spacing
- Plug and Receptacle in 9, 15, 25, or 37 Contact Sizes
- Pin and Socket Contact Mating Design with P.C. Tail Termination
- Metal Shell Provides EMI/RFI Shielding, Plug Shell Indents provide Grounding and Additional Mating Retention
- Grounding Features include Top or Bottom Ground Plates and Four Prong Boardlock for Superior Retention to P.C. Board
- Mounting Options for Panel Mount or Connector Mating include Through Hole, Threaded Inserts and Threaded Standoffs
- D-Shaped Connector Mating Outline provides Polarization
- Design based on Requirements of MIL-C-24038, EIA RS-232 and RS-449

## Specifications:

Insulator Material	Thermoplastic Polyester, UL 94V-0, Chemical Resistant, Color: Black (Blue for MBB Contact)
Contact Material	Plug (Pins): Brass Receptacle (Socket): Brass or Phosphor Bronze
Contact Plating	Selective Gold (See Ordering Code) over Nickel for the Mating Area, Tin Plating for Tail Area
Ferrite Specs:	20dB MIN @30 MHz, 30dB MIN @50 MHz, and 50dB MIN @100 MHz
Shell Material	Nickel Plated Steel
Current Rating	5A Per Contact
Contact Resistance	10 Milliohms MAX
Insulation Resistance	5000 Megohms MIN
Dielectric Voltage	1000V AC rms at Sea Level
Operating Temp.	-55°C To +105°C
Mating and Unmating Force	1oz To 10oz (0.28N To 2.78N) Per Contact Position

## MOUNTING OPTIONS



## Ordering Code:

**621-025-260-013**

### SERIES:

621: PLUG (PIN)  
622: RECEPTACLE (SOCKET)

### NO. OF CONTACTS:

009 - 9 CONTACTS    025 - 25 CONTACTS  
015 - 15 CONTACTS    037 - 37 CONTACTS

### CONTACT FINISH CODE:

2 - GOLD FLASH PLATING  
3 - 15 MICROINCHES OF GOLD PLATING  
6 - 30 MICROINCHES OF GOLD PLATING

### CONTACT CODE:

60 - .318" FOOTPRINT POWER CONTACT  
68 - .318" FOOTPRINT WITH FERRITE FILTER

### MOUNTING OPTIONS:

0 - 4-40 UNC ROUND THREADED STANDOFF  
1 - Ø.125" (Ø3.18MM) THROUGH HOLE  
2 - 4-40 UNC THREADED INSERT  
3 - 4-40 UNC THREADED STANDOFF

### GROUNDING FEATURE:

1 - Ø.120" (Ø3.05MM) THROUGH HOLE TOP GROUND  
2 - Ø.120" (Ø3.05MM) THROUGH HOLE BOTTOM GROUND  
3 - TWO PRONG BOARDLOCKS FOR Ø.120" (Ø3.05MM) HOLE  
4 - FOUR PRONG BOARDLOCKS FOR Ø.120" (Ø3.05MM) HOLE

### MATERIAL CODE:

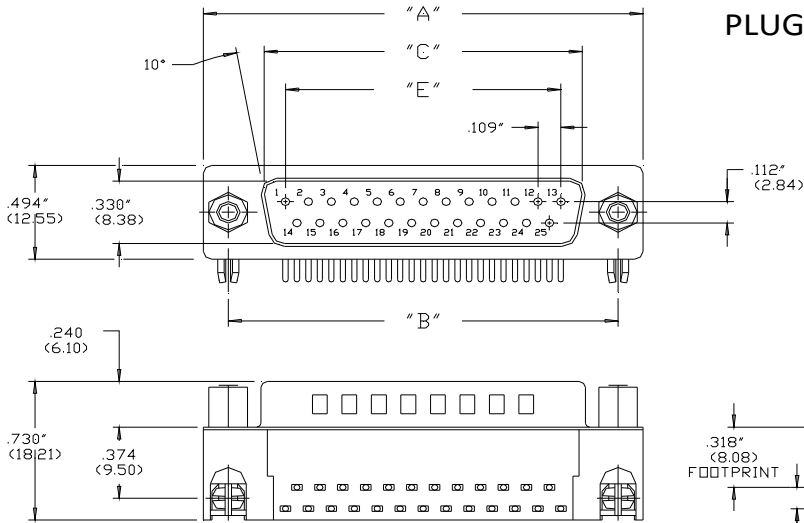
0 - BRASS (621); PHOSPHOR BRONZE (622)  
1 - BRASS (622 ONLY)  
5 - PHOSPHOR BRONZE, HIGH TEMP INSULATOR  
6 - BRASS, HIGH TEMP INSULATOR



# SERIES 621/622: D-SUB CONNECTOR

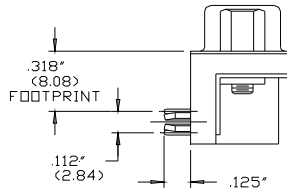
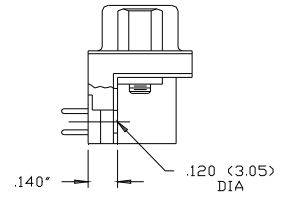
Plug and Receptacle, Right Angle, .318" (8.08mm) Footprint

## PLUG

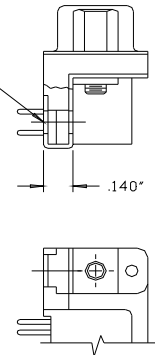


## GROUNDING FEATURES

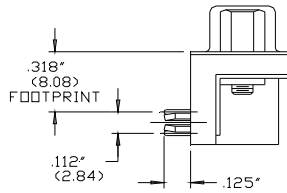
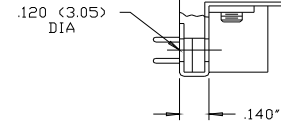
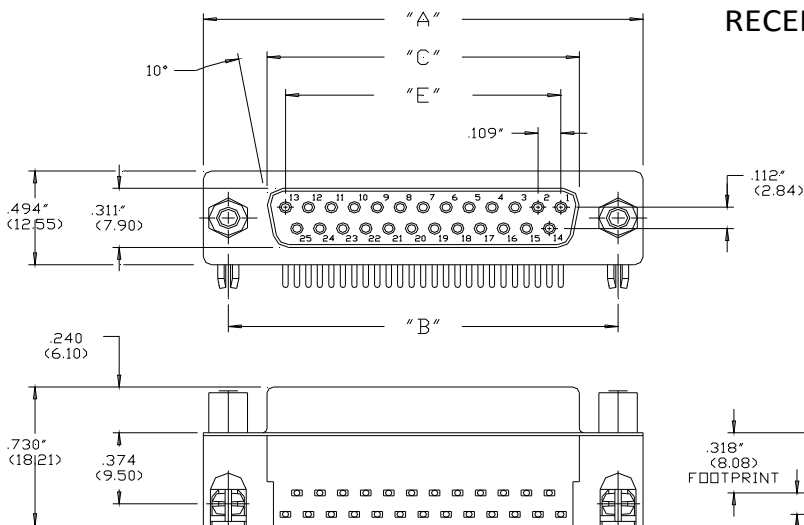
CODE 1  
TOP GROUND PLATE



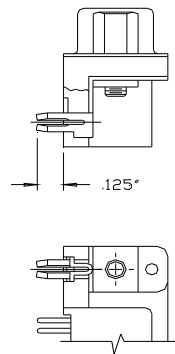
CODE 2  
BOTTOM GROUND PLATE



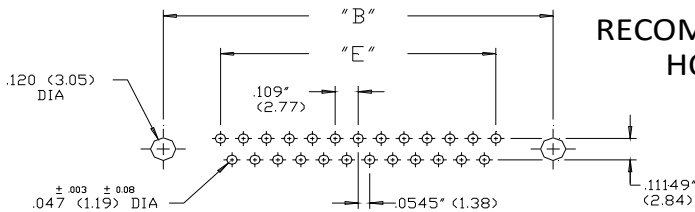
## RECEPTACLE



CODE 4  
FOUR PRONG BOARD LOCK



## RECOMMENDED BOARD HOLE PATTERN



NUMBER OF CONTACTS	A		B		C PLUG		C RECEPTACLE		E		F	
	Inch	(mm)	Inch	(mm)	Inch	(mm)	Inch	(mm)	Inch	(mm)	Inch	(mm)
9	1.214	(30.84)	.984	(24.99)	.667	(16.92)	.640	(16.26)	.432	(10.97)	.108	(2.74)
15	1.545	(39.24)	1.312	(33.32)	.994	(25.25)	.967	(24.56)	.756	(19.20)	.108	(2.74)
25	2.088	(53.04)	1.852	(47.04)	1.534	(38.96)	1.508	(38.30)	1.304	(33.12)	.109	(2.76)
37	2.730	(69.34)	2.500	(63.50)	2.182	(53.08)	2.156	(54.76)	1.956	(49.68)	.109	(2.76)