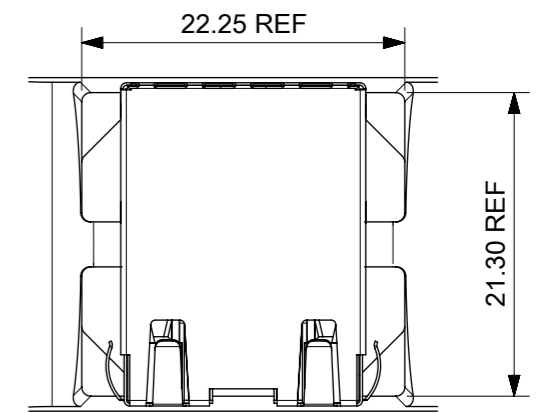
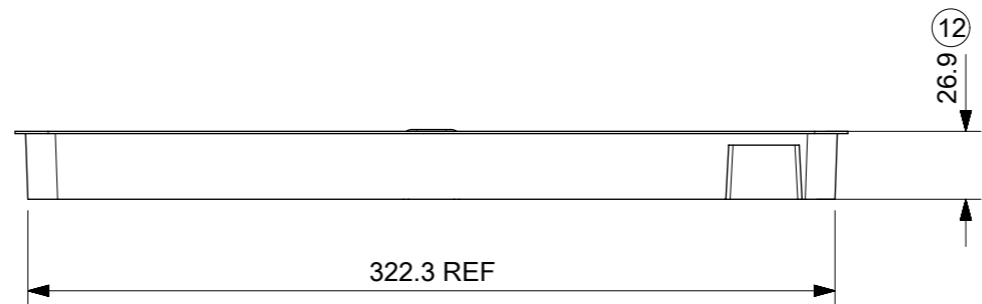
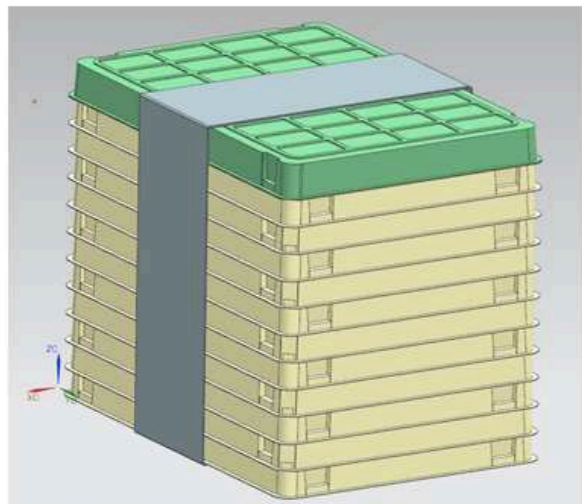
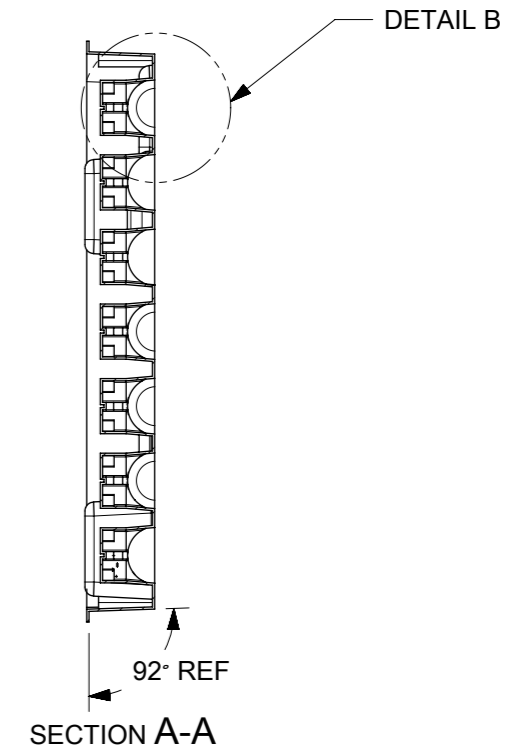
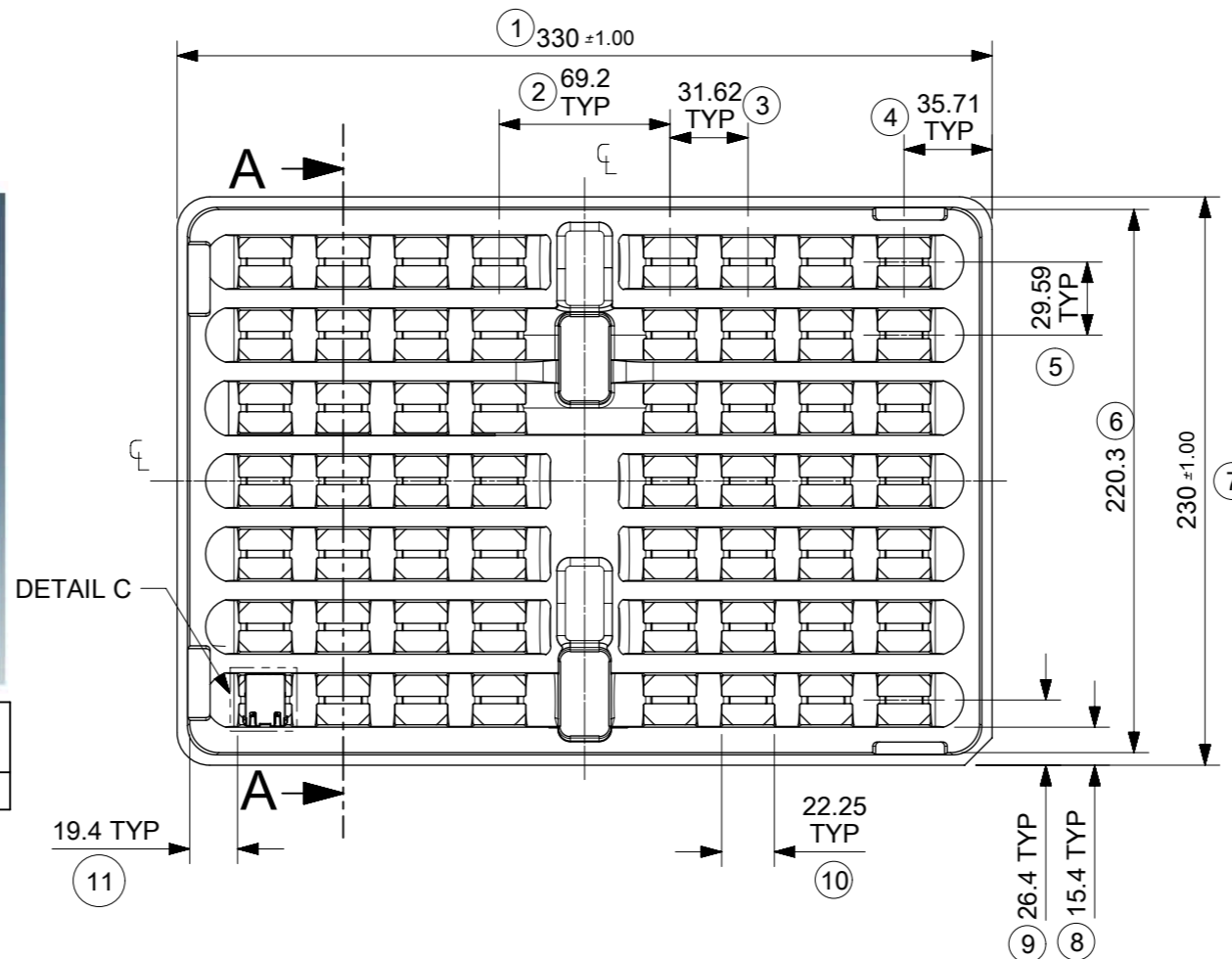


DETAIL B



DETAIL C
SCALE 2:1



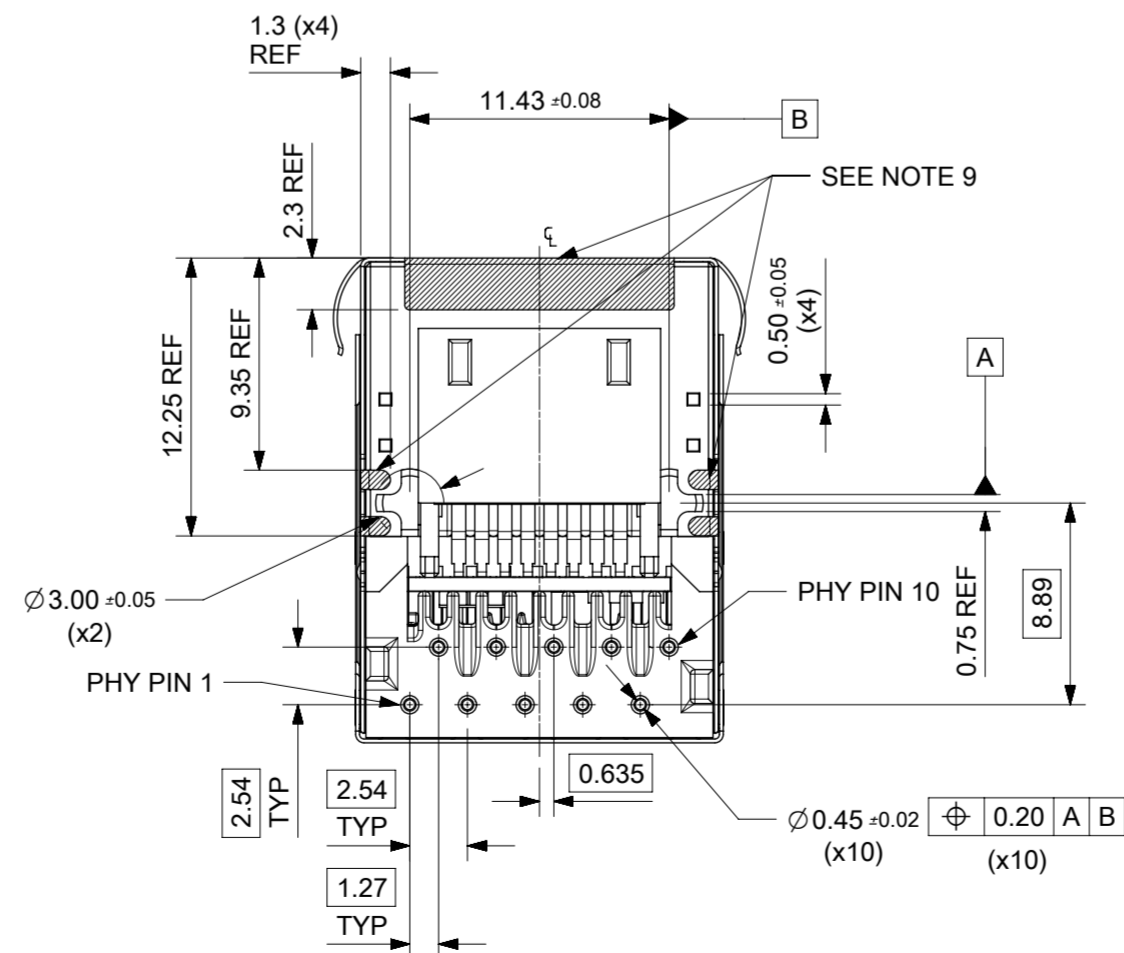
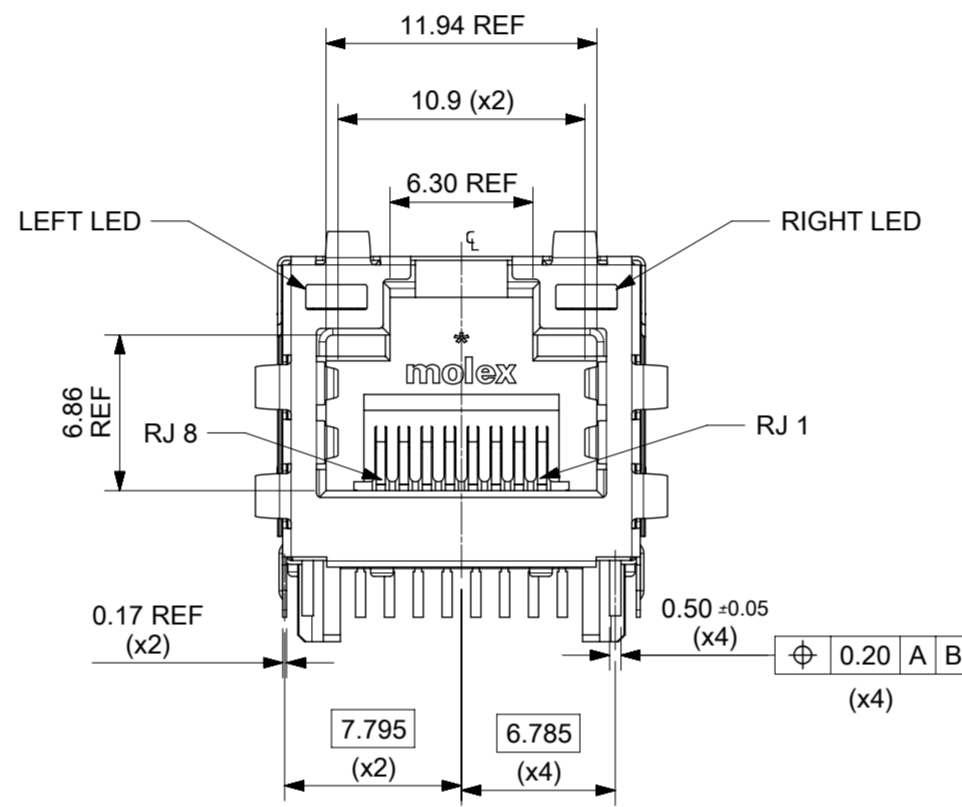
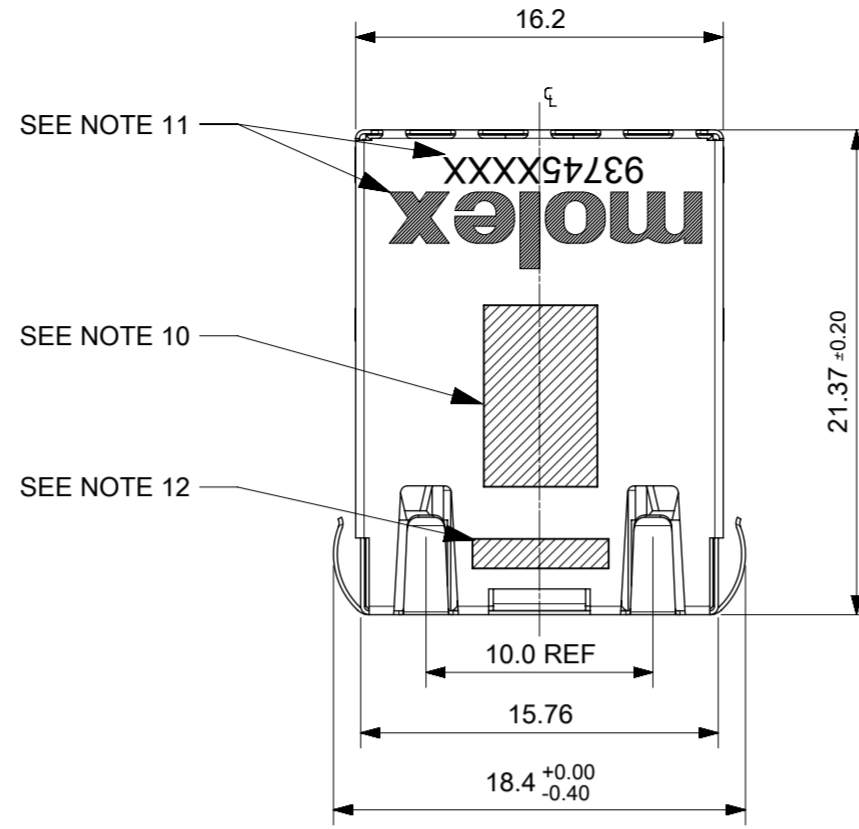
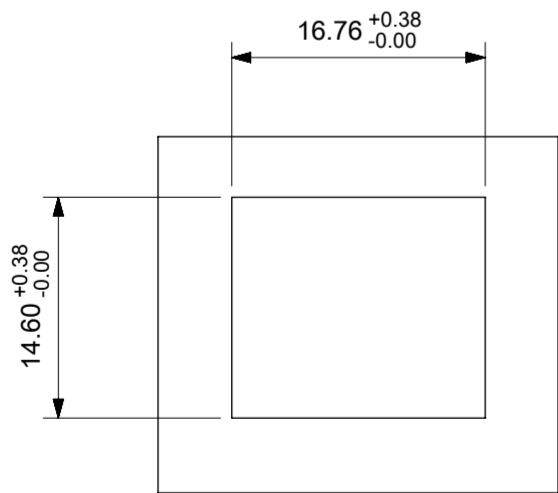
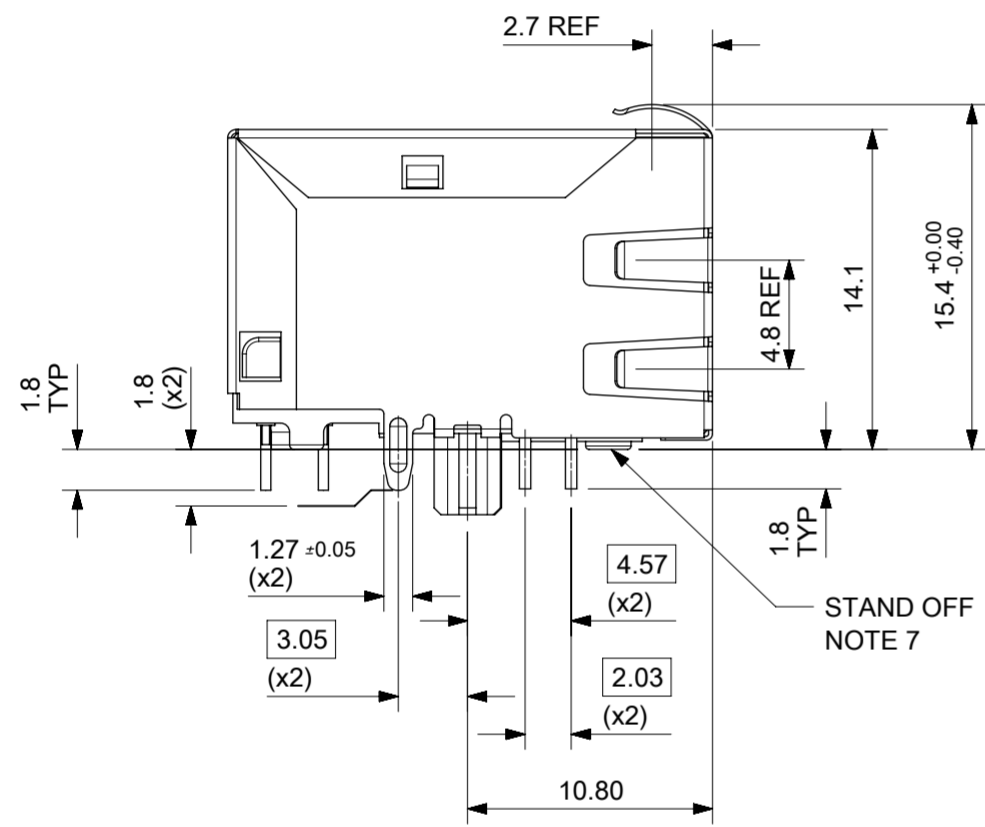
VERSION	QUANTITY PER TRAY	QUANTITY OF TRAYS PER BOX	QUANTITY PER BOX	QUANTITY PER PALLET
0.85" VERSION	56	12	672	18,144

- NOTES:
- MATERIAL: PETA ANTISTATIC
 - THICKNESS: 0.9mm ±0.05mm
 - COLOUR: CLEAR
 - BOW 2mm MAXIMUM PER 330mm
 - TWIST 2mm MAXIMUM PER 330mm
 - TRAY PART NO. AND RECYCLE LOGO TO BE CLEARLY MARKED ON TRAY
RECYCLE LOGO SHOULD BE APPROPRIATE TO MATERIAL USED
 - WHERE RELEVANT, DIMENSIONS SHOULD BE SYMMETRICAL ABOUT THE CENTRELINE
 - GENERAL PROFILE TOLERANCE $\overline{\cup}$ 0.40 ON NON DIMENSIONED FEATURES

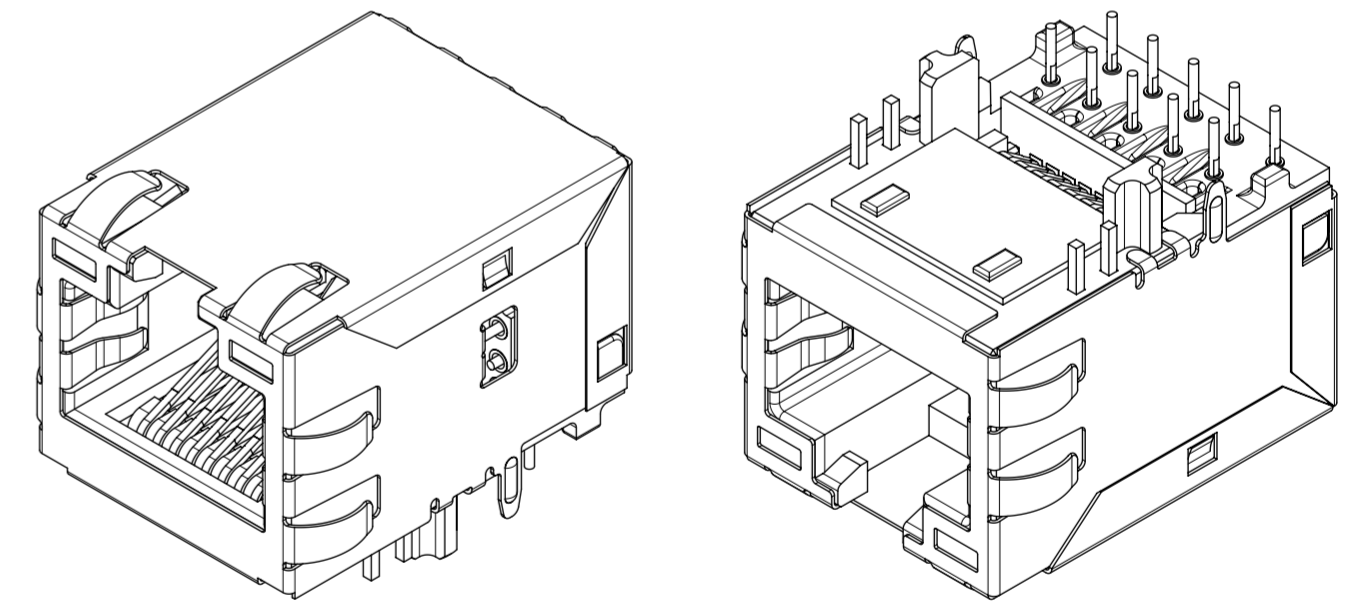
LAST INSPECTION NUMBER USED: 12

THIS DRAWING CONTAINS INFORMATION THAT IS PROPRIETARY TO MOLEX ELECTRONIC TECHNOLOGIES, LLC AND SHOULD NOT BE USED WITHOUT WRITTEN PERMISSION											
QUALITY SYMBOLS		ORIGINAL RELEASE		GENERAL TOLERANCES (UNLESS SPECIFIED)		DIMENSION UNITS		SCALE			
∇	= 0	2016/10/04	2016/12/07	ANGULAR TOL ± 1.0 °		MM	1:3	DRWN BY DATE			
∇	= 0	EC NO: 109024 DRWN: DALLENO1 CHK'D: DALLENO1 APPR: STGRIFFIN	2016/12/07 2016/12/07	4 PLACES ±		KREILLY 2016/05/06		CHK'D BY DATE			
∇	= 0			3 PLACES ±		APPBY BY DATE		PRODUCT CUSTOMER DRAWING			
∇	= 0			2 PLACES ± 0.2		DRAWING SIZE		THIRD ANGLE PROJECTION		SERIES	MATERIAL NUMBER
∇	= 0	1 PLACE ± 0.5		A3				93462	990250150	GENERAL MARKET	
∇	= 0	0 PLACES ±		DRAFT WHERE APPLICABLE MUST REMAIN WITHIN DIMENSIONS				DOCUMENT NUMBER	DOC TYPE	DOC PART	SHEET NUMBER
∇	= 0							934620003	PSD	K	1 OF 1

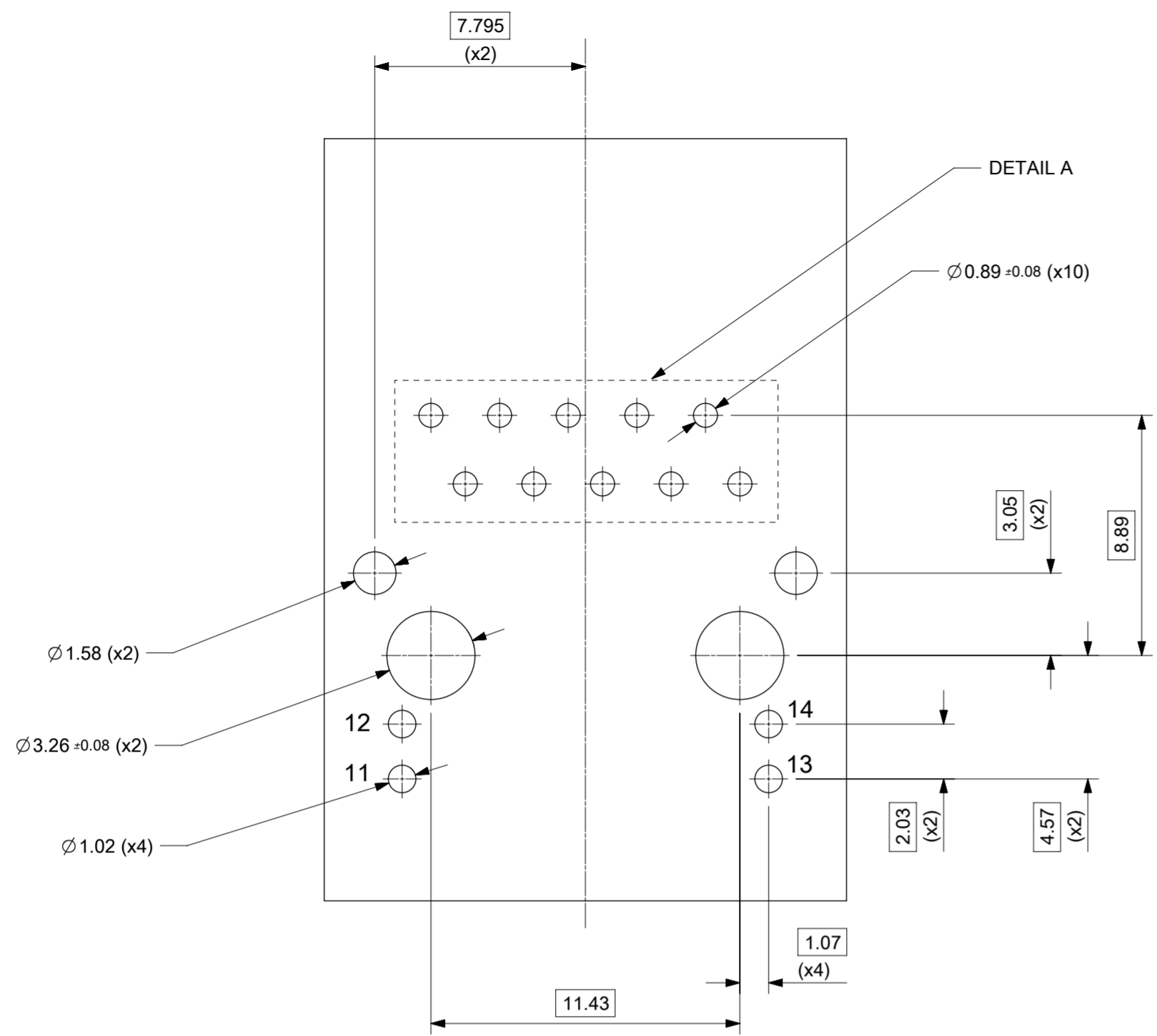
INVERTED PROFILE MAGNETIC JACK
GIGABIT ETHERNET W/LED
AND W/SHIELD TABS
PIN IN PASTE CAPABLE



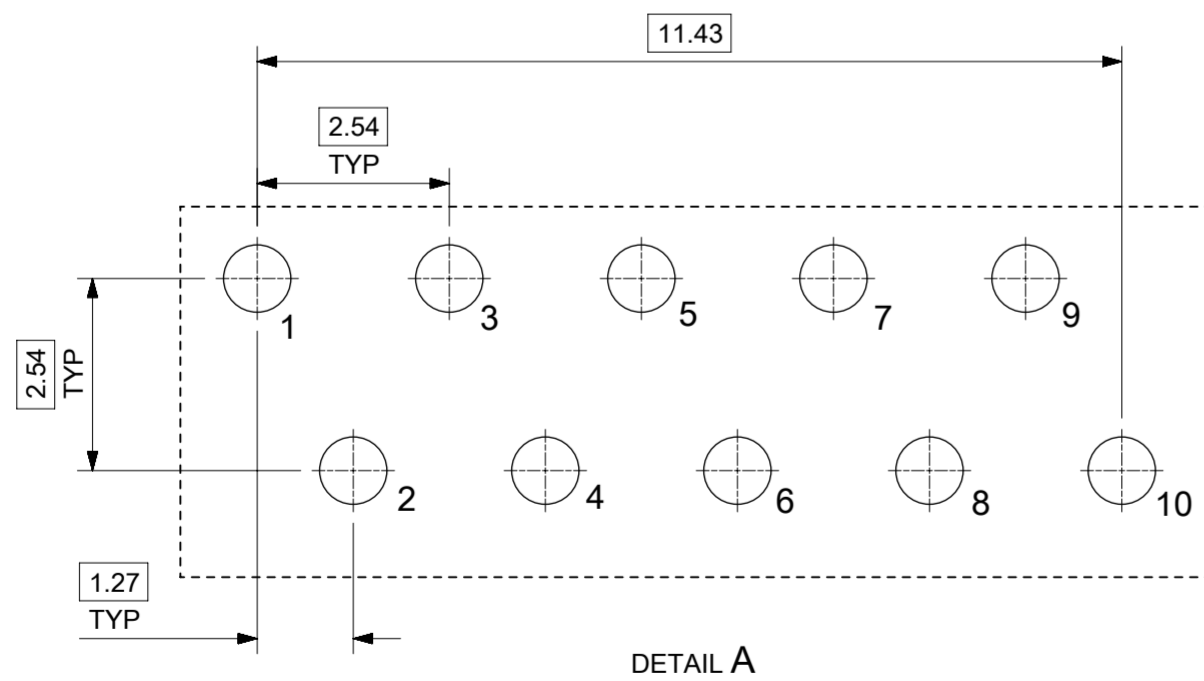
- NOTES:
- SHIELD MATERIAL: 0.17 mm THICK BRASS PRE-PLATED WITH NICKEL SOLDER TABS POST DIPPED WITH MIN 1.27 μm TIN
 - HOUSING MATERIAL: LCP, BLACK, UL 94V-0
 - TERMINALS MATERIAL: PHOSPHOR BRONZE
RJ45 CONTACTS PLATING: BASE NICKEL PLATED WITH GOLD FLASH OVER PALLADIUM NICKEL. REFER TO 934620001 PSP
PHY SOLDER TAILS: COPPER ALLOY
 - MATING INTERFACE ACCORDING TO IEC 60603-7 & TIA-1096-A
 - PRODUCT SPECIFICATION: 934620001 PSP
 - PACKAGING SPECIFICATION: 934620001 PSK TRAY
 - STAND OFF TO SYSTEM BOARD 0.30 mm MIN
 - RECOMMENDED PCB THICKNESS: 1.57 mm
 - SHIELD: AVOID ROUTING TRACES OR PLACING ANY VIAS BELOW THESE AREAS
 - AREA FOR PICK AND PLACE: 5.0 mm X 8.0 mm
 - INSCRIPTION MARKED BY LASER:
1ST: MOLEX
2ND: P/N (SEE BOM)
 - INSCRIPTION MARKED BY LASER:
DATE CODE(DAY/WEEK/YEAR)
 - MATERIAL COMPLIANT TO RoHS DIRECTIVE 2002/95/EC



THIS DRAWING CONTAINS INFORMATION THAT IS PROPRIETARY TO MOLEX ELECTRONIC TECHNOLOGIES, LLC AND SHOULD NOT BE USED WITHOUT WRITTEN PERMISSION		GENERAL TOLERANCES (UNLESS SPECIFIED)		DIMENSION UNITS	SCALE	molex		
mm		3:1		DRWN BY DATE				
ANGULAR TOL ± 2.0 °		4 PLACES ±		KREILLY 2015/08/25		INV PRO MX-MAG P.I.P. 8 CORE GIG		
3 PLACES ±		2 PLACES ± 0.1		CHK'D BY DATE		PRODUCT CUSTOMER DRAWING		
1 PLACE ± 0.2		0 PLACES ±		DALLENO1 2016/11/24		SERIES MATERIAL NUMBER CUSTOMER		
0 PLACES ±		DRAFT WHERE APPLICABLE MUST REMAIN WITHIN DIMENSIONS		APPR BY DATE		93745 SEE TABLE ON SHEET 2 GENERAL MARKET		
A2		THIRD ANGLE PROJECTION		DRAWING SIZE		DOCUMENT NUMBER DOC TYPE DOC PART SHEET NUMBER		
A2		THIRD ANGLE PROJECTION		A2		937450003 PSD 000 1 OF 3		



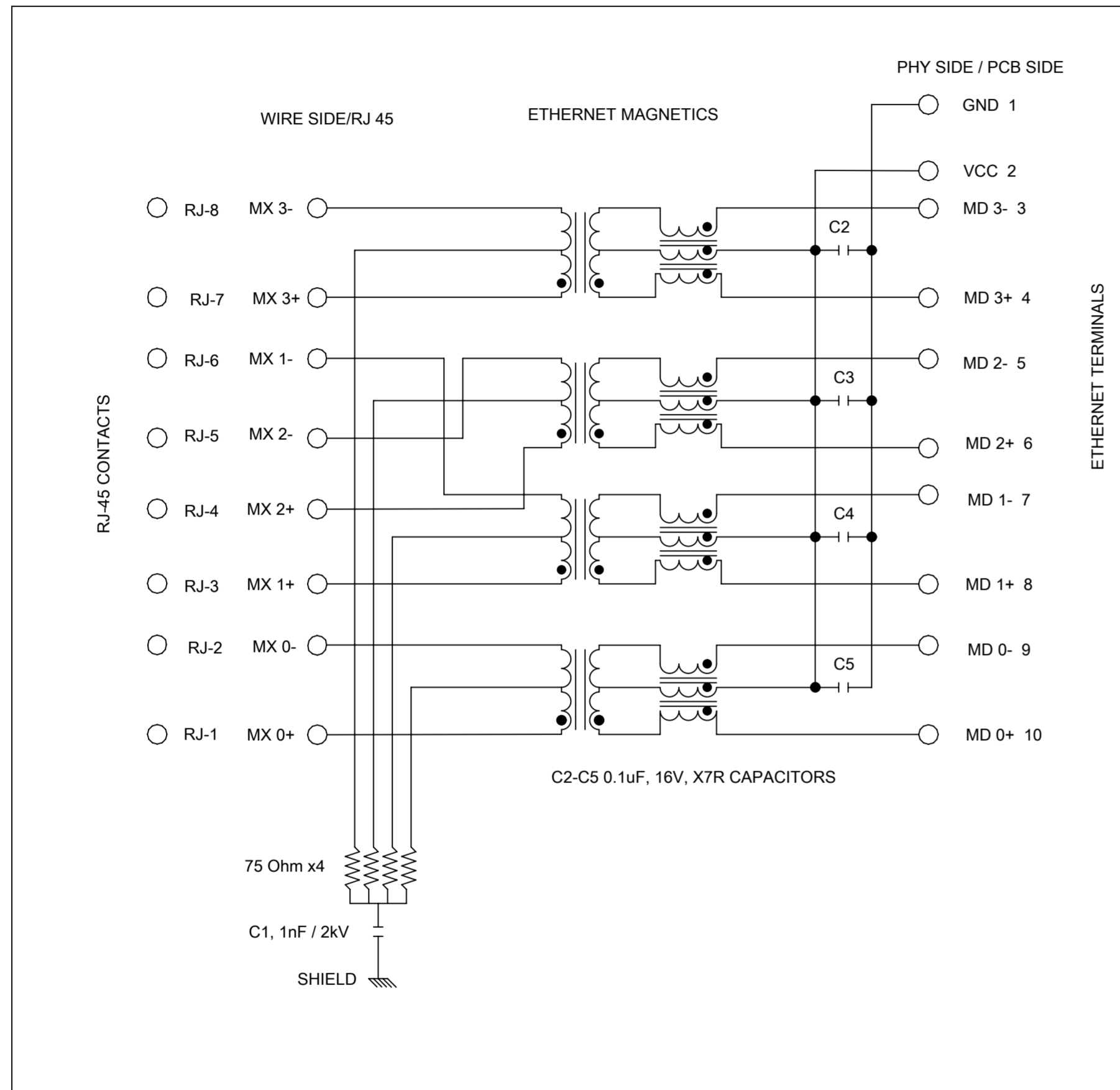
SUGGESTED BOARD LAYOUT
GIGABIT VERSION
COMPONENT SIDE
ALL DIMS REFERENCE DIMS



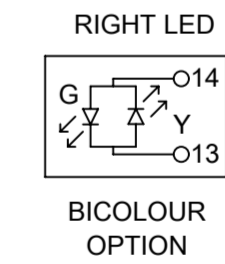
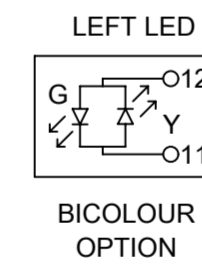
PIN CONFIGURATION
FOR GIGABIT VERSION

PART NUMBER	LEFT LED	RIGHT LED
937453608	GREEN/YELLOW	GREEN/YELLOW

THIS DRAWING CONTAINS INFORMATION THAT IS PROPRIETARY TO MOLEX ELECTRONIC TECHNOLOGIES, LLC AND SHOULD NOT BE USED WITHOUT WRITTEN PERMISSION			
REVISED EC NO: 116686 DRWN: BPMURPHY CHKD: DSHEA APPR: DBYRNES	2017/07/18	GENERAL TOLERANCES (UNLESS SPECIFIED)	DIMENSION UNITS
	2017/09/12	ANGULAR TOL $\pm 2.0^\circ$	mm
	2017/09/26	4 PLACES \pm	SCALE
		3 PLACES \pm	5:1
		2 PLACES ± 0.1	DRWN BY
	1 PLACE ± 0.2	DATE	KREILLY 2015/08/25
	0 PLACES \pm	CHK'D BY	DATE
		DALLENO1	2016/11/24
		APPR BY	DATE
		STGRIFFIN	2015/11/18
		DRAWING SIZE	THIRD ANGLE PROJECTION
		A2	
		DRAFT WHERE APPLICABLE MUST REMAIN WITHIN DIMENSIONS	
PRODUCT CUSTOMER DRAWING SERIES: 93745 MATERIAL NUMBER: SEE TABLE CUSTOMER: GENERAL MARKET		INV PRO MX-MAG P.I.P. 8 CORE GIG	
DOCUMENT NUMBER: 937450003		DOC TYPE: PSD	DOC PART: 000 SHEET NUMBER: 2 OF 3



Description	Value	
OCL @100 kHz, 0.1 V 8 mA DC bias (0°C to +70°C)	350 μ H min.	
Turns ratio	1CT:1CT	
Transmission characteristics @ 25°C, all four pairs		
Insertion Loss		
Frequency f, (MHz)	Limits (dB max.)	Typical Values (dB max.)
1.0-9.9	$0.4+0.1*\log(f)$	0.5 @ 10 MHz
10-49.9	$0.5+0.3*\log(f/10)$	0.7 @ 50 MHz
50-79.9	$1+1.4*\log(f/80)$	1.0 @ 80 MHz
80-100	$1.3+3*\log(f/100)$	1.3 @ 100 MHz
Return Loss		
Frequency f, (MHz)	Limits (dB min.)	Typical Values (dB min.)
1.0-39.9	18	18 @ 40 MHz
40-100	$12-20*\log(f/80)$	10 @ 100 MHz
CMR		
Frequency f, (MHz)	Limits (dB min.)	Typical Values (dB min.)
1.0-100	30	30 @ 100 MHz
Next		
Frequency f, (MHz)	Limits (dB min.)	Typical Values (dB min.)
1.0-39.9	35	35 @ 40 MHz
40-100	$33-20*\log(f/50)$	27 @ 100 MHz
Isolation PHY to wire side	2.25 kVDC/60sec	



THIS DRAWING CONTAINS INFORMATION THAT IS PROPRIETARY TO MOLEX ELECTRONIC TECHNOLOGIES, LLC AND SHOULD NOT BE USED WITHOUT WRITTEN PERMISSION											
REVISED	EC NO: 116686	DRWN: BPMURPHY	CHK'D: DSHEA	REV / APPR: DBYRNES	2017/07/18	2017/09/12	2017/09/26	GENERAL TOLERANCES (UNLESS SPECIFIED)			
					mm	SCALE		1:1			
					ANGULAR TOL \pm 2.0 °	DRWN BY	DATE	KREILLY 2015/08/25			
					4 PLACES \pm	CHK'D BY	DATE	DALLEN01 2016/11/24			
					3 PLACES \pm	APPR BY	DATE	STGRIFFIN 2015/11/18			
				2 PLACES \pm 0.1	DRAWING SIZE		THIRD ANGLE PROJECTION		SERIES		
				1 PLACE \pm 0.2	A2		Third angle projection symbol		93745	MATERIAL NUMBER	
				0 PLACES \pm	DRAFT WHERE APPLICABLE MUST REMAIN WITHIN DIMENSIONS				SEE TABLE ON SHEET 2	CUSTOMER	
								GENERAL MARKET		PRODUCT CUSTOMER DRAWING	
								DOCUMENT NUMBER		SHEET NUMBER	
								937450003		3 OF 3	
								DOC TYPE		DOC PART	
								PSD		000	