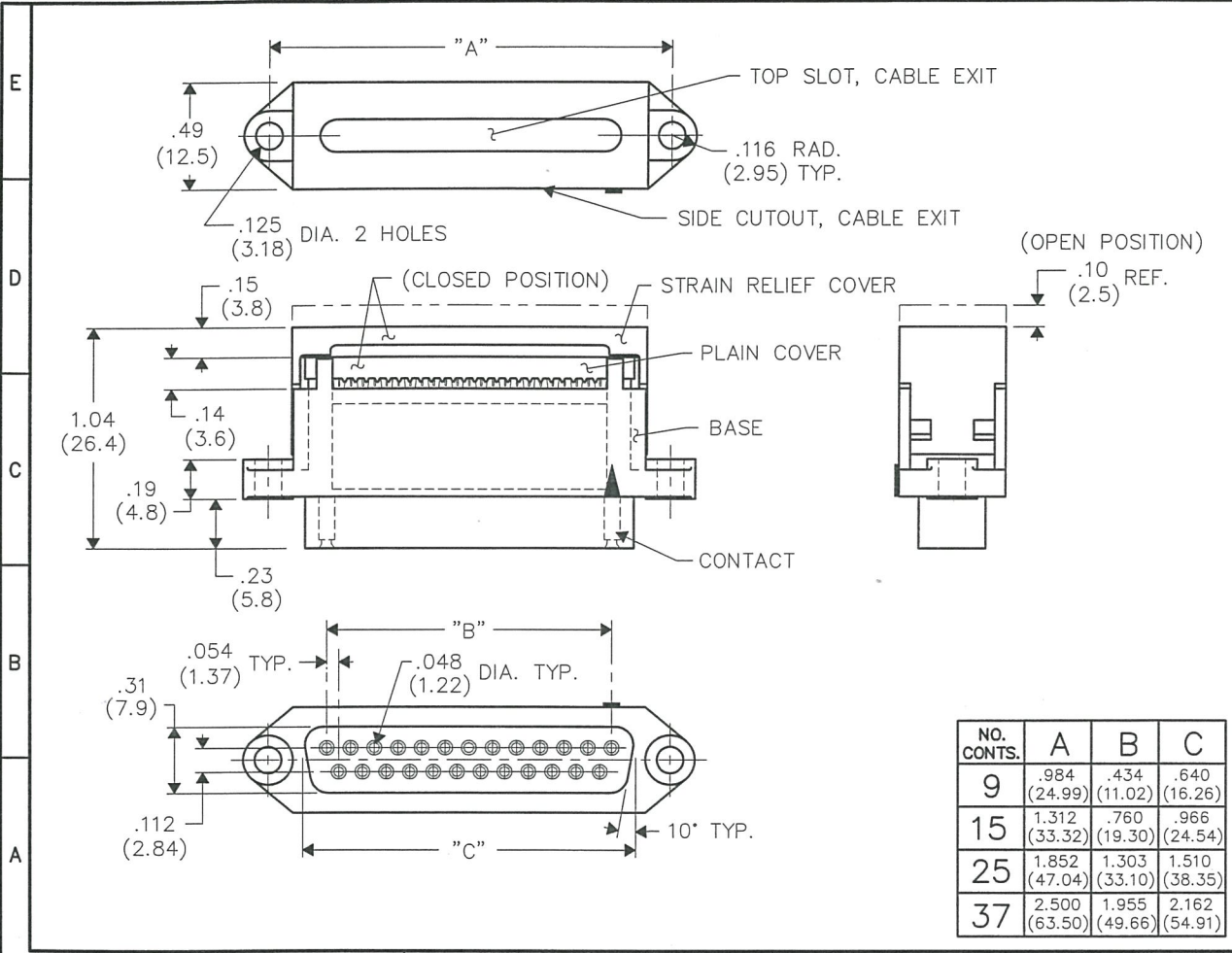


DIMENSIONS IN INCHES (MILLIMETERS)
DO NOT SCALE DRAWING

Dwg. No.
CWR-181-XX-0203



NOTES:

1. Dimensions are in inches; dimensions in () are millimeters.
2. Metric equivalents are given for general information only, and are based upon 1.00 inches equals (25.4) millimeters.
3. Unless otherwise specified, tolerances are ± 0.005 (.13) for three place decimals, and ± 0.01 (.3) for two place decimals.

MATERIALS:

PLASTIC PARTS - UL94V-0 thermoplastic (blue, standard) flame retardant.

CONTACTS - Phosphor bronze.

CONTACT PLATING - .000100 (min.) Tin, all over .000050 (min.) nickel.

OPERATING STANDARDS:

- TEMPERATURE RATING - 120° C
- CONTACT RATING - 1 ampere.
- DIELECTRIC STRENGTH - Over 500V.D.C. at sea level.
- CONDUCTORS ACCEPTED - 28-30 AWG solid or stranded.
- INSULATION RESISTANCE - Greater than 5×10^9 ohms.

CUSTOMER DRAWING

| | | | | | | | | | | | | | | | |
|---|----------------------------|---|---|---|---|---|---|---|--|--------|-----------------------------|----------------------------|----------------------------|----------------------------|---|
| 1 | 2 | 3 | 4 | 5 | 6 | 7 | 8 | 9 | 10 | | | | | | |
| <p style="text-align: center;">ATTENTION</p> <p style="font-size: small;">THIS DRAWING AND ITS ATTACHMENTS, IF ANY, ARE PROPRIETARY TO CW INDUSTRIES AND DESCRIBE DESIGNS THAT ARE CONFIDENTIAL AND MUST NOT BE DISCLOSED UNLESS AUTHORIZED, IN WRITING, BY AN OFFICER OF CW INDUSTRIES.....</p> | | | | | | | <p style="font-size: large; font-weight: bold; margin: 0;">CW INDUSTRIES</p> <p style="font-size: small; margin: 0;">Southampton, Pa. 18966</p> <p style="font-size: x-small; margin: 0;">TOLERANCES UNLESS OTHERWISE SPECIFIED</p> <table style="font-size: x-small; width: 100%;"> <tr> <td>2 Place Decimal ± 0.010</td> <td>METRIC</td> </tr> <tr> <td>3 Place Decimal ± 0.005</td> <td>1 Place Dec. ± 0.25mm</td> </tr> <tr> <td>Angles $\pm 1^\circ$</td> <td>2 Place Dec. ± 0.13mm</td> </tr> </table> | | 2 Place Decimal ± 0.010 | METRIC | 3 Place Decimal ± 0.005 | 1 Place Dec. ± 0.25 mm | Angles $\pm 1^\circ$ | 2 Place Dec. ± 0.13 mm | <p style="font-size: small;">Title: PLASTIC "D" CONNECTOR (PLUG) FEMALE CONTACTS</p> |
| 2 Place Decimal ± 0.010 | METRIC | | | | | | | | | | | | | | |
| 3 Place Decimal ± 0.005 | 1 Place Dec. ± 0.25 mm | | | | | | | | | | | | | | |
| Angles $\pm 1^\circ$ | 2 Place Dec. ± 0.13 mm | | | | | | | | | | | | | | |
| <p style="font-size: small;">REVISIONS</p> <p style="font-size: x-small;">FORM-B3</p> <p style="font-size: x-small;">RELEASED 9-18-2006</p> <p style="font-size: x-small;">DWG SEP 20 2006</p> | | | | | | | <p style="font-size: small;">Made for: CW IND.</p> <p style="font-size: small;">Drawn by: DGW 9-18-2006</p> <p style="font-size: small;">Checked by: <i>G. Gold</i> 9-19-06</p> <p style="font-size: small;">Approval: <i>[Signature]</i> 9-19-06</p> | | <p style="font-size: small;">Division: CONNECTOR</p> <p style="font-size: small;">Dwg. No. CWR-181-XX-0203</p> | | | | | | |

MASTER