



Switching spark gaps

Series/Type: SSG03X1J

The following products presented in this data sheet are being withdrawn.

Ordering Code	Substitute Product	Date of Withdrawal	Deadline Last Orders	Last Shipments
B88069X6331S102		2016-12-16	2017-03-25	2017-06-25

For further information please contact your nearest EPCOS sales office, which will also support you in selecting a suitable substitute. The addresses of our worldwide sales network are presented at www.epcos.com/sales.

Features

- Extremely long life time
- Stable performance over life
- Insensitive performance against variations in temperature
- Very low switching losses
- Very short breakdown time
- High reliability by robust design
- RoHS-compatible

Application

- Ignition of HID lamps

Electrical specifications

Nominal breakdown voltage V_N	350	V
Initial values ^{1) 2)}		
Static breakdown voltage V_S		
First ignition value $V_{S, FTE}$ after 24 hours in darkness	≤ 420	V
Following ignition values $V_{S, FIV}$	290 ... 390	V
Electrical life time ³⁾		
Breakdown voltage V_B		
First ignition value $V_{B, FTE}$ after 24 hours in darkness	≤ 450	V
Ignition time t_i at V_0 during life	≤ 300	ms
Following ignition values $V_{B, FIV}$	290 ... 390	V
Switching operations at + 25 °C	50 000	Ignitions
Test circuit parameters		
Open circuit voltage V_0	450	V
Loading resistance R	10	k Ω
Discharge capacitance C	680	nF
Inductance L	0.5	μ H
Discharge peak current I_P	~ 500	A
General technical data		
Insulation resistance at 100 V	> 100	M Ω
Early ignition values below 290 V	≤ 2	%
Breakdown time	≤ 50	ns
Maximum switching frequency	200	Hz
Maximum loading current	50	mA
Weight	~ 2	g
Marking, red positive	EPCOS 350 WWY O 350 - Nominal voltage WW - Calendar week of production Y - Year of production O - Non radioactive	

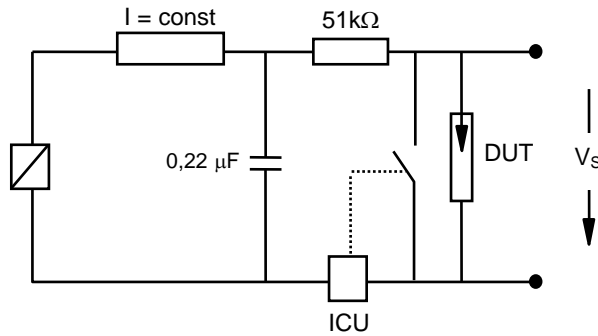
¹⁾ At delivery AQL 0,65 level II, DIN ISO 2859

²⁾ Fig. 1 and 2

³⁾ Fig. 3 and 4

Test circuits and explanations

Fig. 1: QC-test circuit (100% outgoing inspection)



DUT device under test
 ICU ignition control unit (sensitivity 10 ... 30 μA)
 Discharge current 10 ... 20 mA

Fig. 2: Explanation of measurands

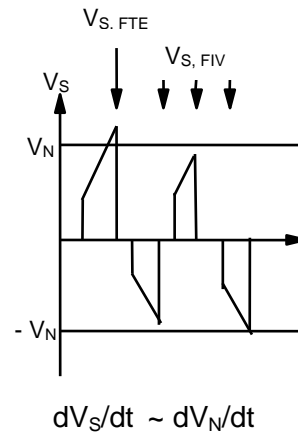


Fig. 3: QC-test circuit (sampling inspection at 25 °C)

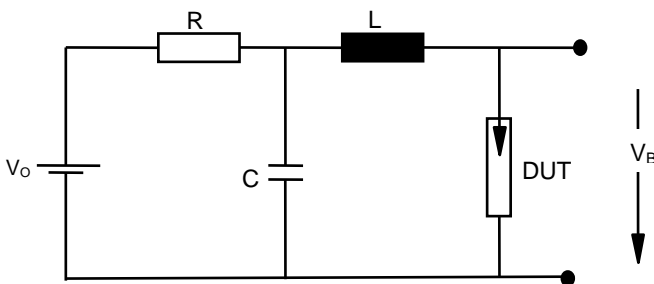
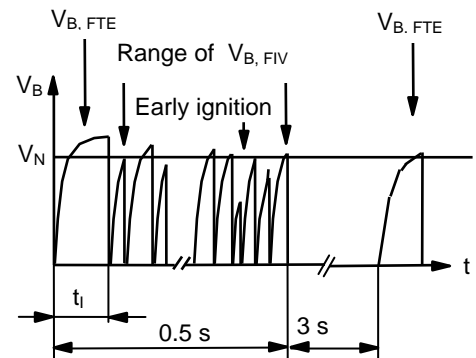
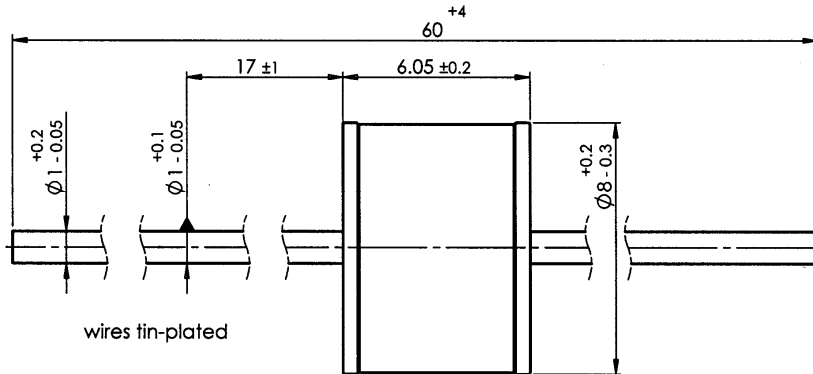
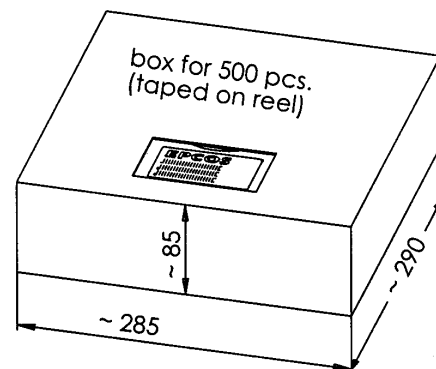
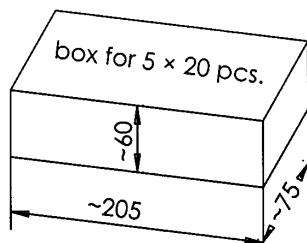
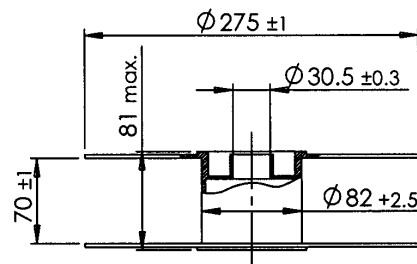
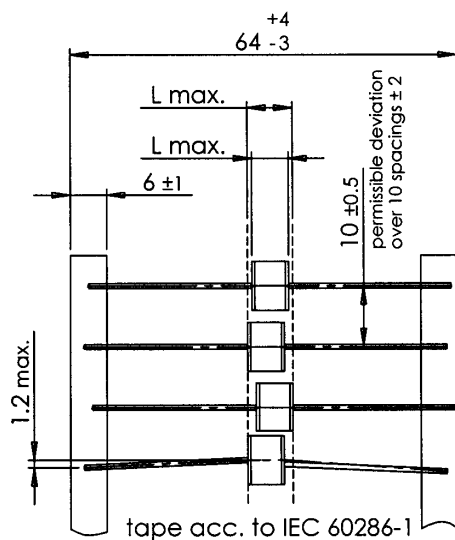


Fig. 4: Explanation of measurands



Dimensional drawing in mm

Ordering codes and packing advices

B88069X6331S102 = 100 pcs. on 5 taped stripes *B88069X6331T502 = 500 pcs. on tape and reel*


Cautions and warnings

- Switching spark gaps may be used only within their specified values.
- Damaged switching spark gaps must not be re-used.

Important notes

The following applies to all products named in this publication:

1. Some parts of this publication contain **statements about the suitability of our products for certain areas of application**. These statements are based on our knowledge of typical requirements that are often placed on our products in the areas of application concerned. We nevertheless expressly point out **that such statements cannot be regarded as binding statements about the suitability of our products for a particular customer application**. As a rule, EPCOS is either unfamiliar with individual customer applications or less familiar with them than the customers themselves. For these reasons, it is always ultimately incumbent on the customer to check and decide whether an EPCOS product with the properties described in the product specification is suitable for use in a particular customer application.
2. We also point out that **in individual cases, a malfunction of electronic components or failure before the end of their usual service life cannot be completely ruled out in the current state of the art, even if they are operated as specified**. In customer applications requiring a very high level of operational safety and especially in customer applications in which the malfunction or failure of an electronic component could endanger human life or health (e.g. in accident prevention or life-saving systems), it must therefore be ensured by means of suitable design of the customer application or other action taken by the customer (e.g. installation of protective circuitry or redundancy) that no injury or damage is sustained by third parties in the event of malfunction or failure of an electronic component.
3. **The warnings, cautions and product-specific notes must be observed.**
4. In order to satisfy certain technical requirements, **some of the products described in this publication may contain substances subject to restrictions in certain jurisdictions (e.g. because they are classed as hazardous)**. Useful information on this will be found in our Material Data Sheets on the Internet (www.epcos.com/material). Should you have any more detailed questions, please contact our sales offices.
5. We constantly strive to improve our products. Consequently, **the products described in this publication may change from time to time**. The same is true of the corresponding product specifications. Please check therefore to what extent product descriptions and specifications contained in this publication are still applicable before or when you place an order. We also **reserve the right to discontinue production and delivery of products**. Consequently, we cannot guarantee that all products named in this publication will always be available. The aforementioned does not apply in the case of individual agreements deviating from the foregoing for customer-specific products.
6. Unless otherwise agreed in individual contracts, **all orders are subject to the current version of the "General Terms of Delivery for Products and Services in the Electrical Industry" published by the German Electrical and Electronics Industry Association (ZVEI)**.
7. The trade names EPCOS, BAOKE, Alu-X, CeraDiode, CSMP, CSSP, CTVS, DeltaCap, DSSP, MiniBlue, MiniCell, MKK, MLSC, MotorCap, PCC, PhaseCap, PhaseCube, PhaseMod, PhiCap, SIFERRIT, SIFI, SIKOREL, SilverCap, SIMDAD, SIMID, SineFormer, SIOV, SIP5D, SIP5K, ThermoFuse, WindCap are **trademarks registered or pending** in Europe and in other countries. Further information will be found on the Internet at www.epcos.com/trademarks.