

REVISIONS			
REV	ECN, ERN NO.	DATE	APPRD.
A	PRODUCT DRAWING (EAR 12957)	OCT04/06	K.L.

**MECHANICAL DATA:**

**MATERIALS:** ALL MATERIALS ARE RoHS COMPLIANT

**SHELL:** STEEL, TIN PLATED

**INSERTS:** HIGH TEMPERATURE RESISTANT NYLON, GLASS REINFORCED, UL FLAMMABILITY RATING 94V-0, COLOUR: BLACK

**CONTACTS:** COPPER ALLOY, GOLD PLATING (SEE ORDERING CODE) OVER 50µ" [1.27 MICRONS] NICKEL ON ENGAGEMENT AREA WITH 100µ" [2.54 MICRONS] MIN. MATTE TIN ON CONTACT TERMINALS.

**BOARDLOCK:** COPPER ALLOY, TIN PLATED

**ELECTRICAL DATA:**

**CURRENT RATING:** 5 AMP

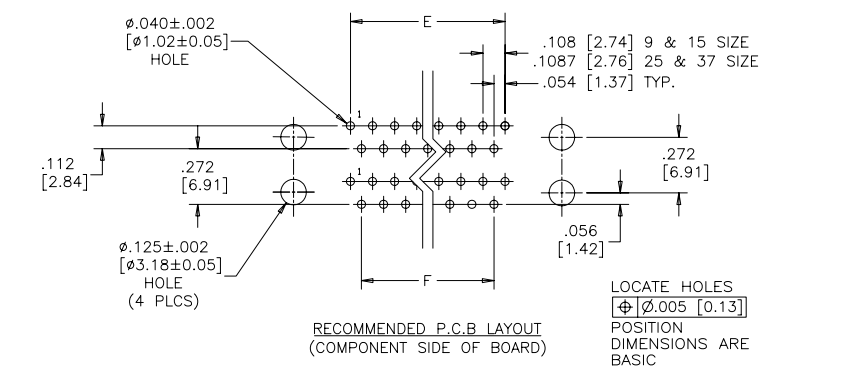
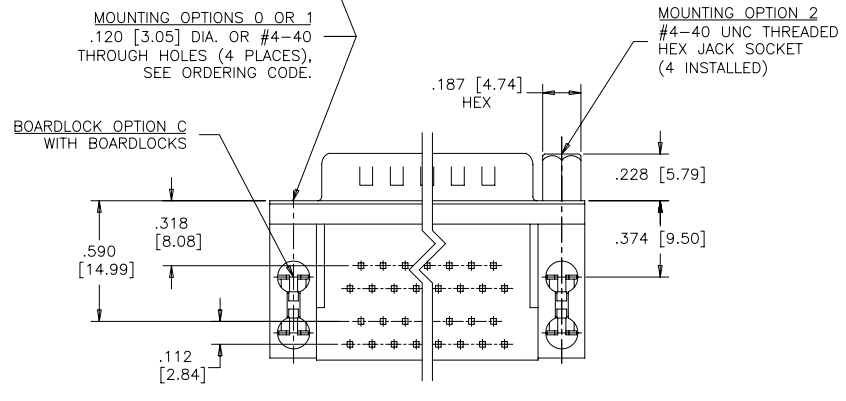
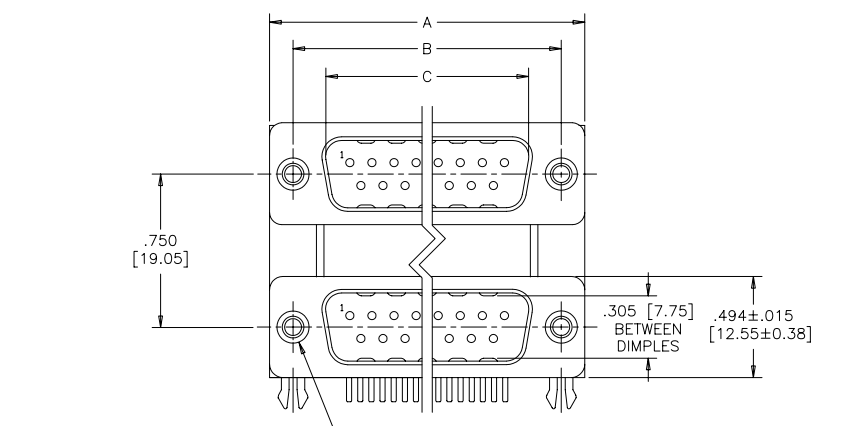
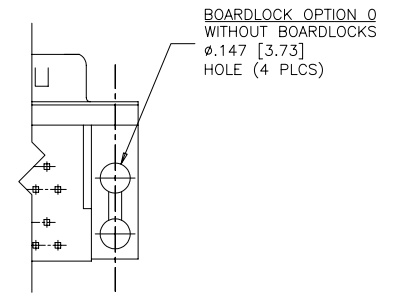
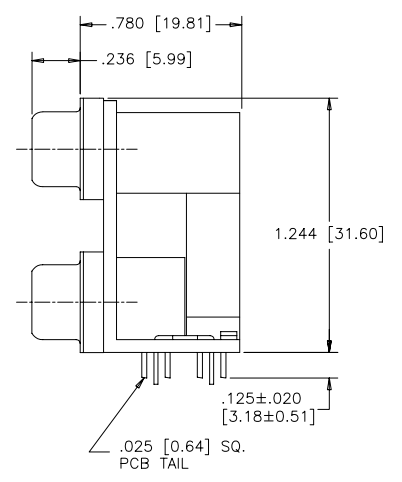
**CONTACT RESISTANCE:** 15 MILLIOHMS MAX.

**INSULATION RESISTANCE:** 3000 MEGOHMS MIN.

**DIELECTRIC WITHSTANDING VOLTAGE:** 1000 VAC rms

**OPERATING TEMPERATURE:** -55°C TO +105°C

SIZE	A	B	C	E	F
9 OVER 9 18 CONTACTS	1.213 [30.81]	.984 [24.99]	.666 [16.92]	.432 [10.97]	.324 [8.23]
15 OVER 15 30 CONTACTS	1.541 [39.14]	1.312 [33.32]	.994 [25.25]	.756 [19.20]	.648 [16.46]
25 OVER 25 50 CONTACTS	2.088 [53.04]	1.852 [47.04]	1.534 [38.96]	1.304 [33.12]	1.196 [30.38]
37 OVER 37 74 CONTACTS	2.729 [69.32]	2.500 [63.50]	2.182 [55.42]	1.956 [49.68]	1.848 [46.94]



**ORDERING CODE:**

**PART NUMBER:** 6 E 1 7 H - C 1 8 E A J - 1 0 1

**SERIES** \_\_\_\_\_

**BOARDLOCK OPTION**  
C=WITH BOARDLOCKS  
O=WITHOUT BOARDLOCKS

**NUMBER OF CONTACTS**  
18=2 x 9  
30=2 x 15  
50=2 x 25  
74=2 x 37

**STYLE**  
E=PIN OVER PIN,  
.750" [19.05] PORT SPACING

**SHELL CHARACTERISTICS**  
01=STEEL SHELLS, TIN PLATED,  
PLUG WITH GROUNDING DIMPLES

**MOUNTING OPTIONS**  
0=Ø.120" [3.05] CLEAR HOLE  
1=#4-40 THREADED HOLE  
2=MOUNTING OPTION 1 WITH #4-40  
UNC HEX JACK SOCKETS INSTALLED

**CONTACT PLATING OPTIONS**  
BF=ENGAGEMENT AREA 3µ" [0.08 MICRONS] GOLD FLASH.  
CF=ENGAGEMENT AREA 15µ" [0.38 MICRONS] GOLD  
AJ=ENGAGEMENT AREA 30µ" [0.76 MICRONS] GOLD

DRAWN	J.LEE	DATE	OCT04/06
DESIGNED			
CHECKED	K.LAMBIE	DATE	OCT04/06
I. E. APPRD.			
Q. A. APPRD.			
DWG. APPRD.			
ENG. REL. NO.		DWG	DRAWING NO.
REF.	EAR 12957	C	P-6E17H-XXXEXX-X01
DIMENSIONS ARE IN	INCHES	SCALE	2/1
CODE ID. NO.	03554	WT.	-----
		SURF.	-----
		SHEET	1 OF 1

**Amphenol Canada Corp.**

6E17H SERIES DUAL PORT CONNECTOR, PIN OVER PIN, .750" [19.05] SPACING, PLATING & MOUNTING OPTIONS, RoHS COMPLIANT

THIS DOCUMENT CONTAINS PROPRIETARY INFORMATION AND SUCH INFORMATION MAY NOT BE DISCLOSED TO OTHERS FOR ANY PURPOSE OR USED FOR MANUFACTURING PURPOSES WITHOUT WRITTEN PERMISSION FROM AMPHENOL CANADA CORP.