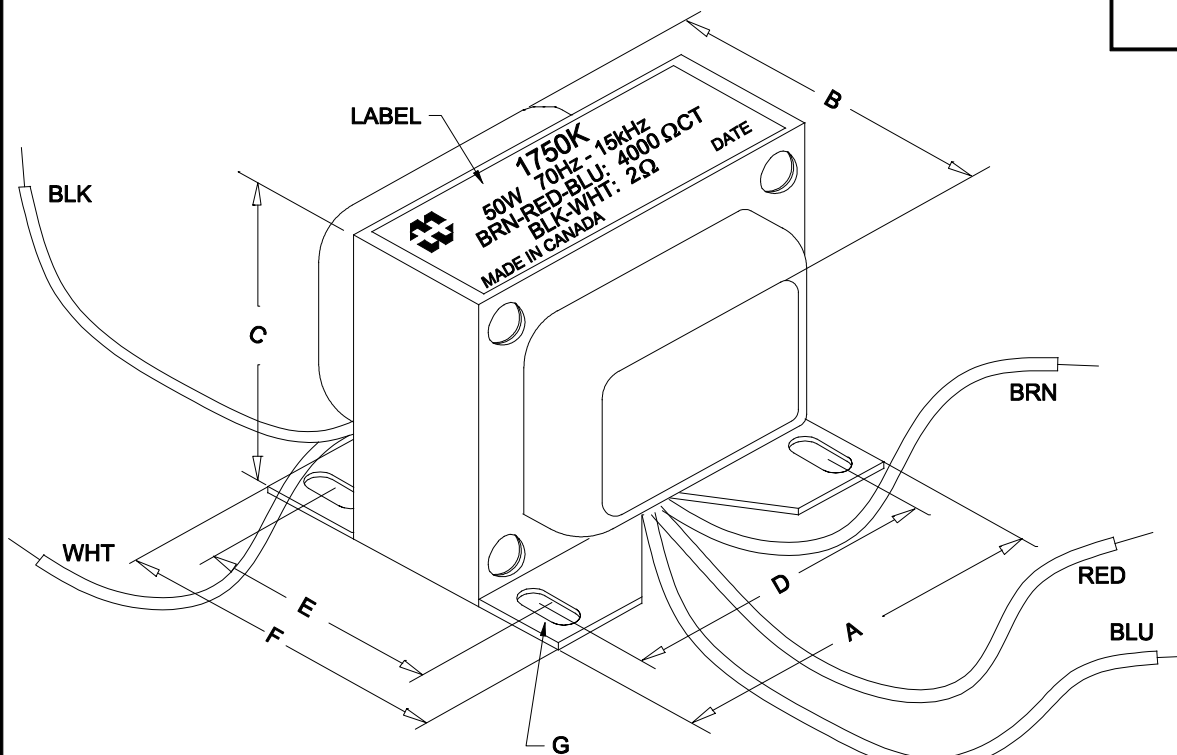


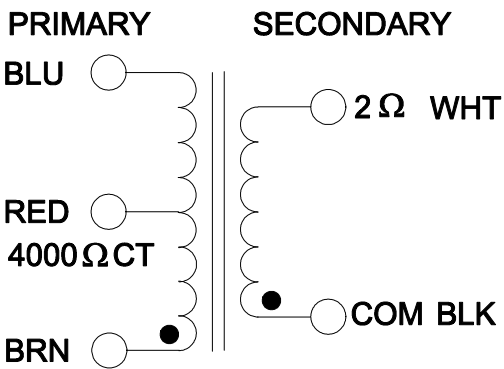
1750K



NOTE: ALL LEADS 9.0" OUT MIN.

**DIMENSIONS:**

|   |                       |
|---|-----------------------|
| A | 4.063" ±0.063         |
| B | 3.125" ±0.125         |
| C | 3.453" ±0.063         |
| D | 3.500" ±0.063         |
| E | 2.000" ±0.063         |
| F | 2.560" ±0.063         |
| G | 0.177"X 0.300" ±0.015 |



**ELECTRICAL DATA:**

|                |  |
|----------------|--|
| Turns ratio:   | 44.67 : 1                                  |
| Inductance     | @ 240V, 50Hz =>42.44H (Open circuit)       |
| DCR            | @ 20°C, BRN - RED =43.15 Ω ±20%            |
|                | @ 20°C, RED - BLU =46.28 Ω ±20%            |
|                | @ 20°C, BLK - WHT =0.180 Ω ±20%            |
| FREQ. RESP     | @ 50W (447V), 70Hz - 15kHz ±1db (1kHz ref) |
| Pri. Impedance | 4000 ΩCT (447V)                            |
| Sec. Impedance | 2 Ω (10V @ 5A)                             |
| Power          | 50 WATTS                                   |



**HAMMOND  
ELECTRONICS**  
52 RANKIN PLACE,  
WATERLOO, ONTARIO, N2L 3Z5.  
PHONE (519) 886-6181  
FAX # (519) 886-9540

|       |          |                    |                       |
|-------|----------|--------------------|-----------------------|
| TITLE |          | OUTPUT TRANSFORMER |                       |
|       |          |                    | DR BY<br>IOAN POP     |
| 0     | 05/11/09 | PRELIMINARY.       | I.P. DATE<br>05/11/09 |
| NO    | DATE     | REVISION           | DIM IN(X)MM( )        |

1750K