

(1.27 mm) .050"

SFMX SERIES

# FLEX LOCK/LATCH SOCKET STRIP

## SPECIFICATIONS

For complete specifications and recommended PCB layouts see [www.samtec.com?SFMX](http://www.samtec.com?SFMX)

**Insulator Material:** Black Liquid Crystal Polymer

**Contact Material:** Phosphor Bronze

**Plating:** Au over 50 μ" (1.27 μm) Ni

**Operating Temp Range:** -55 °C to +125 °C

**Contact Resistance:** 15 mΩ

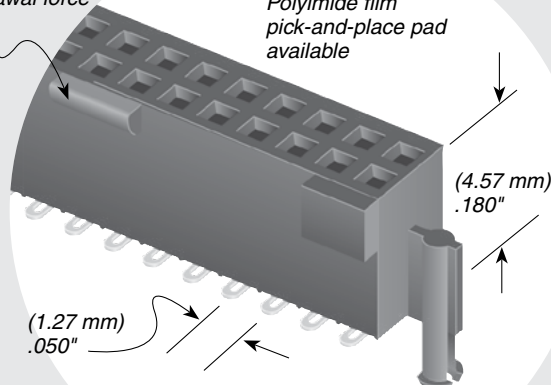
**Insertion Depth:** (3.05 mm) .120" to (4.06 mm) .160"

**Unmating Force:** Withdrawal force per contact: 2.0 oz (0.57 N) avg; Incremental unmating force with latching mechanism: 10 & 15 pins/row (One Latch) increases withdrawal force by 4 x avg; 20-30 pins/row (Two Latches) increases withdrawal force by 3 x avg; 35-50 pins/row (Three Latches) increases withdrawal force by 1.7 x avg  
**RoHS Compliant:** Yes

**Mates with:** TFML

Latching feature increases withdrawal force

Polyimide film pick-and-place pad available



Locks into stiffeners behind circuit

## PROCESSING

**Lead-Free Solderable:** Yes

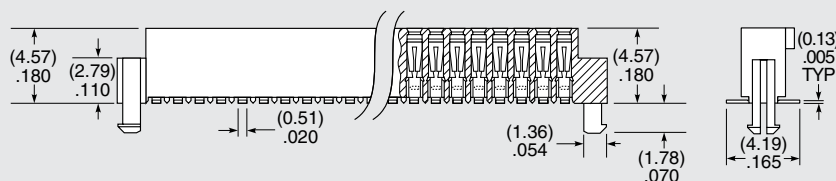
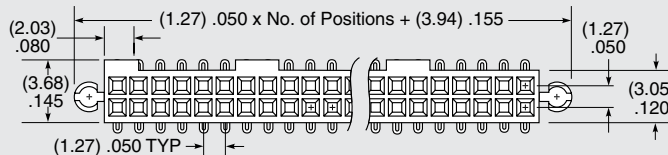
**SMT Lead Coplanarity:** (0.10 mm) .004" max (10-25) (0.15 mm) .006" max (30-50)

## RECOGNITIONS

For complete scope of recognitions see [www.samtec.com/quality](http://www.samtec.com/quality)



<b>TYPE STRIP</b>	<b>1</b>	<b>NO. PINS PER ROW</b>	<b>LEAD STYLE</b>	<b>PLATING OPTION</b>	<b>D</b>	<b>OPTION</b>
<b>SFMX</b> = Latching Flex Lock		<b>10, 15, 20, 25, 30, 35, 40, 45, 50</b> (Standard sizes)	<b>-T2</b> = Tiger Eye™ LITE Contact	<b>-S</b> = 30 μ" (0.76 μm) Gold on contact, Matte Tin on tail		<b>-K</b> = (4.00 mm) .157" DIA Polyimide film Pick & Place Pad  <b>-TR</b> = Tape & Reel



**Note:** Some sizes, styles and options are non-standard, non-returnable.