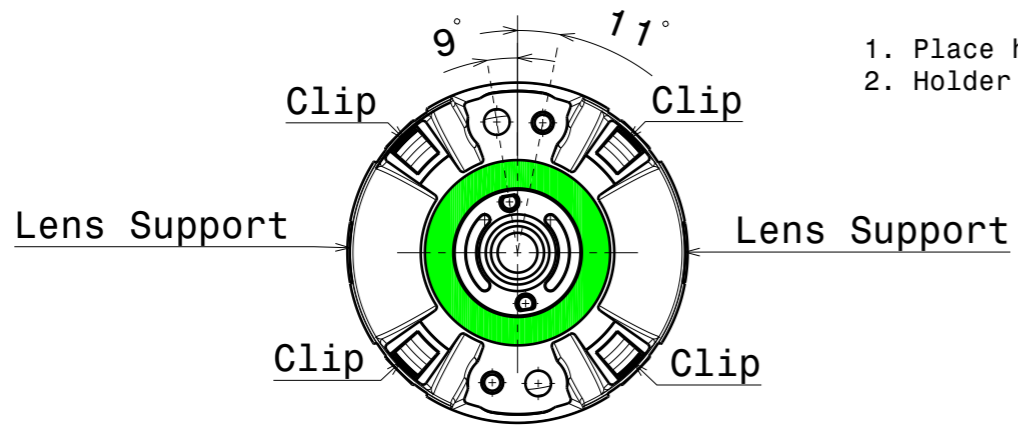
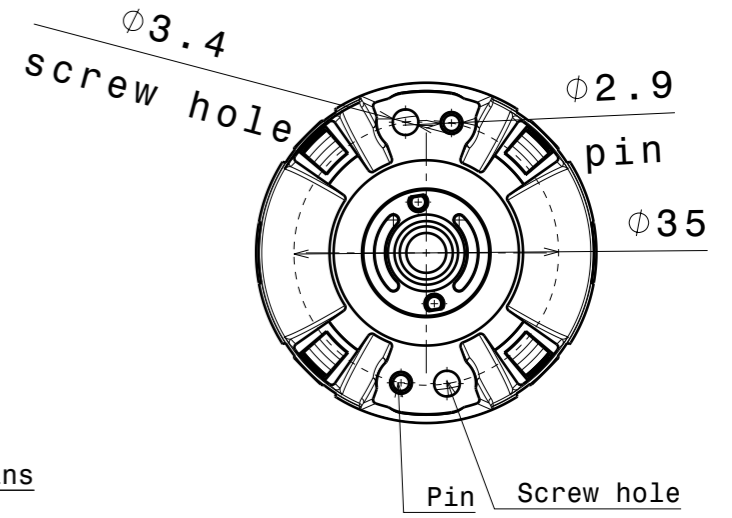


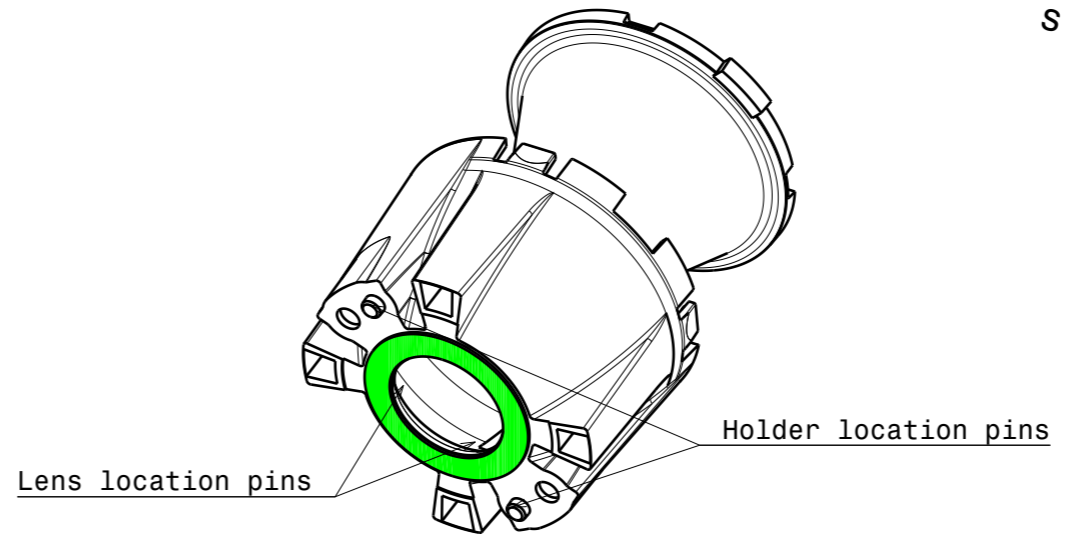
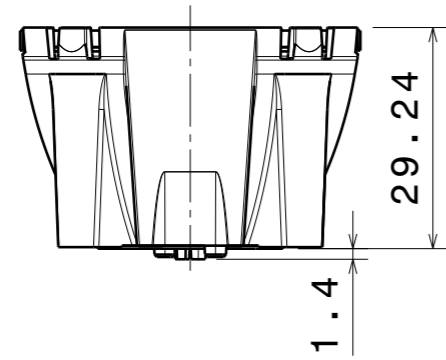
4



1. Place holder on PCB using the holder location pins as guide elements.  
2. Holder is fixed in place with the tape.

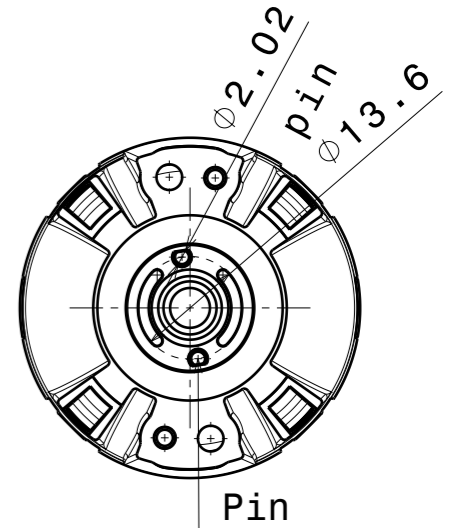
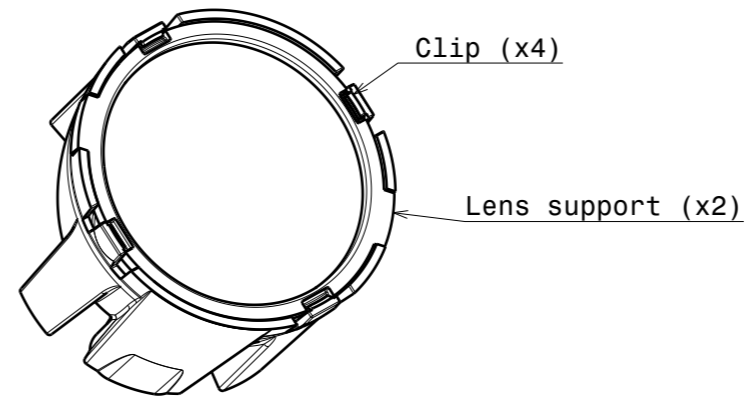
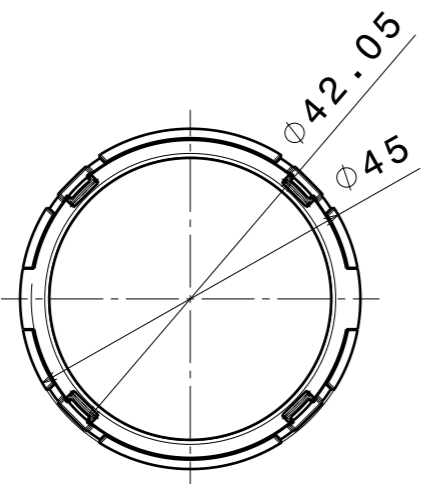


3



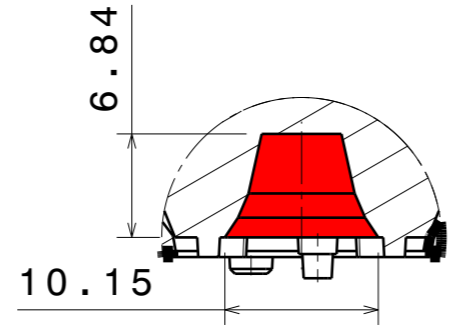
3. Place lens support features into relative holes in the holder, please note that the location pins on the lens goes through the PCB.  
4. Press optic until all 4 clips are locked.

2



1

Notes:  
 1. PCB level  
 2. Ensure exact LED fitting from [www.ledil.com](http://www.ledil.com) and/or the 3d mechanical model to count in LED structural variation such as LED dome shape and LED base size.



INDEX	PART NO	DESCRIPTION	MATERIAL	COLOUR
1	CX15819	GABRIELLA-45-W	Lens PMMA Holder PC Tape PU	

Tolerances if not otherwise shown  
 According to DIN ISO 2768-1  
 Linear measures:  
 Up to 30mm class M, otherwise class C.  
 According to DIN ISO 2768-2  
 Form and position: class L

**LEDiL** Ledil Oy  
 Salorankatu 10  
 FIN 24240 SALO  
 Finland

THIRD ANGLE PROJECTION:

DRAWING TITLE  
**CX15819\_GABRIELLA-45-W**

This drawing is the property of LEDiL Oy. It may not be reproduced, copied or communicated without a written agreement with LEDiL Oy.

SIZE	PART NUMBER		
<b>A3</b>	<b>CX15819</b>		

SCALE	1:1	WEIGHT	-	SHEET	1/1
-------	-----	--------	---	-------	-----