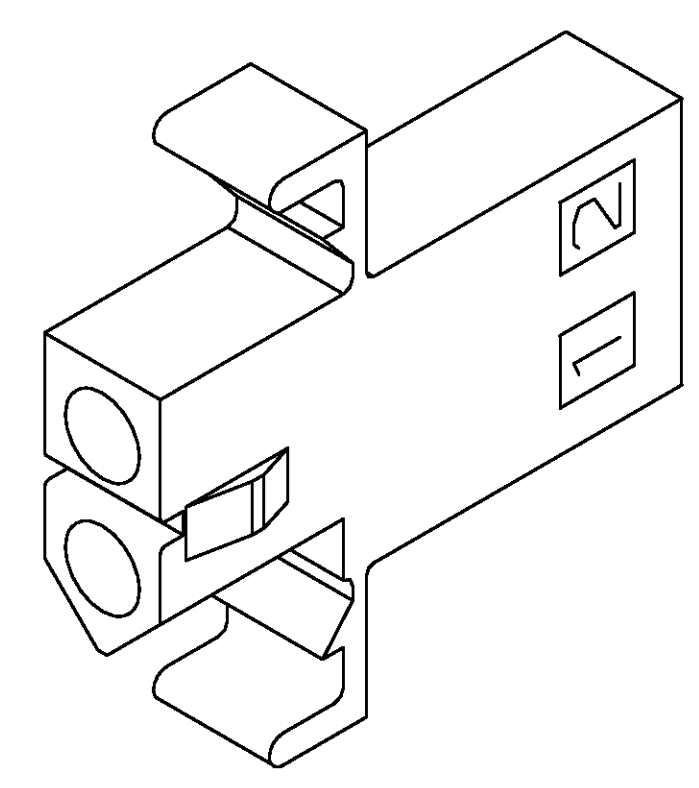
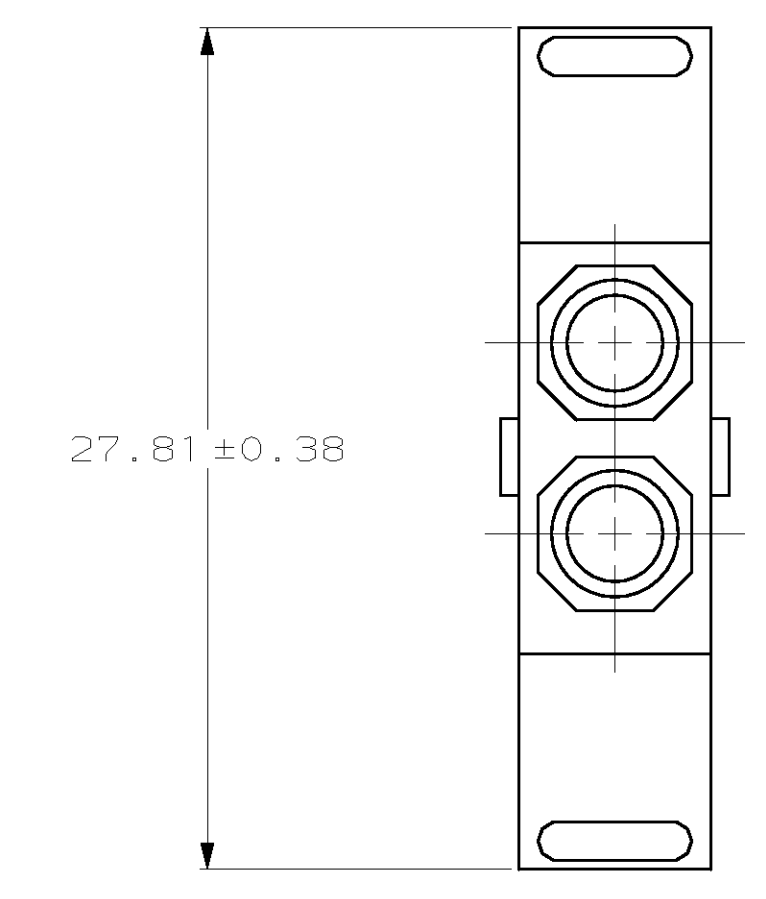
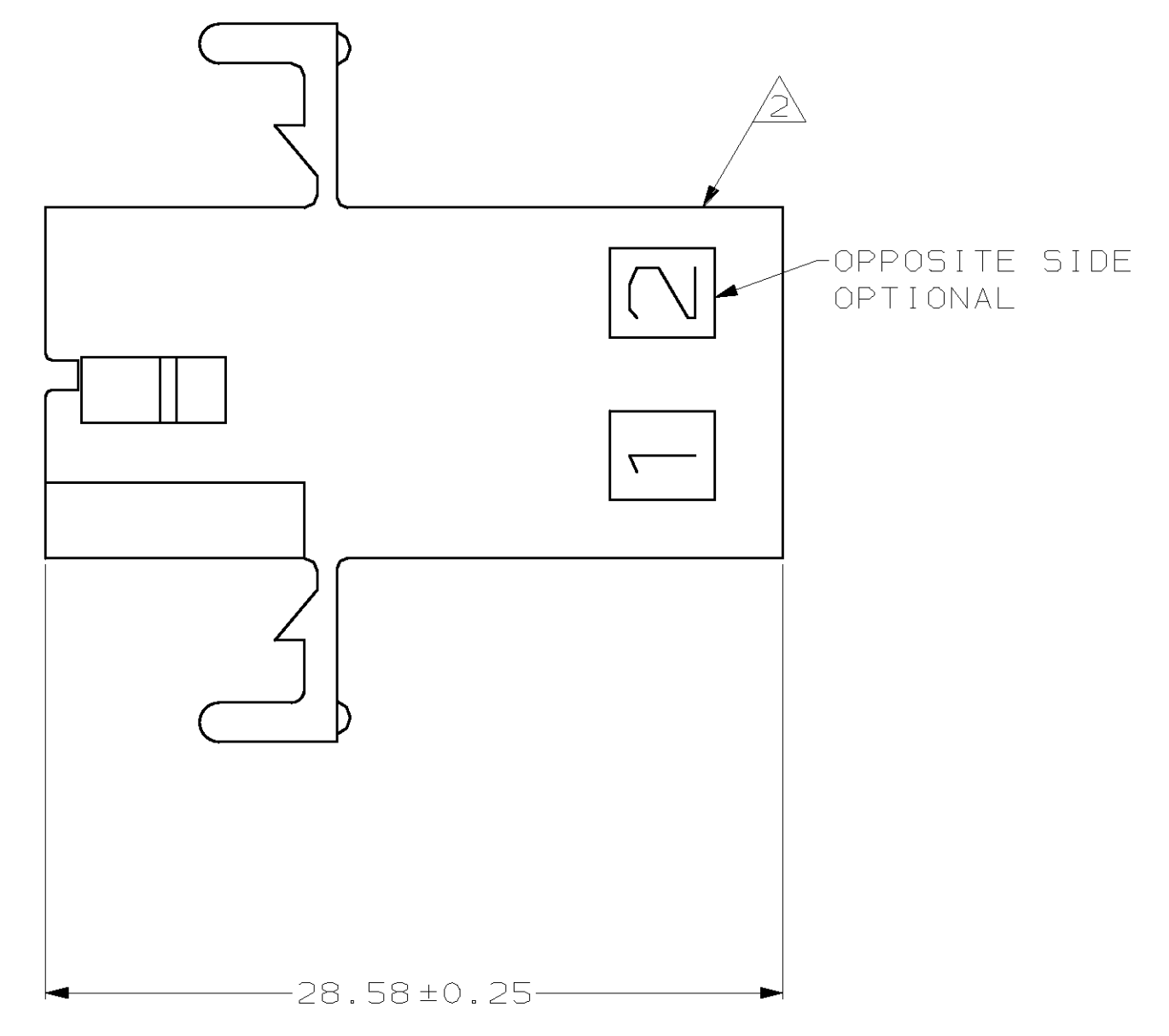
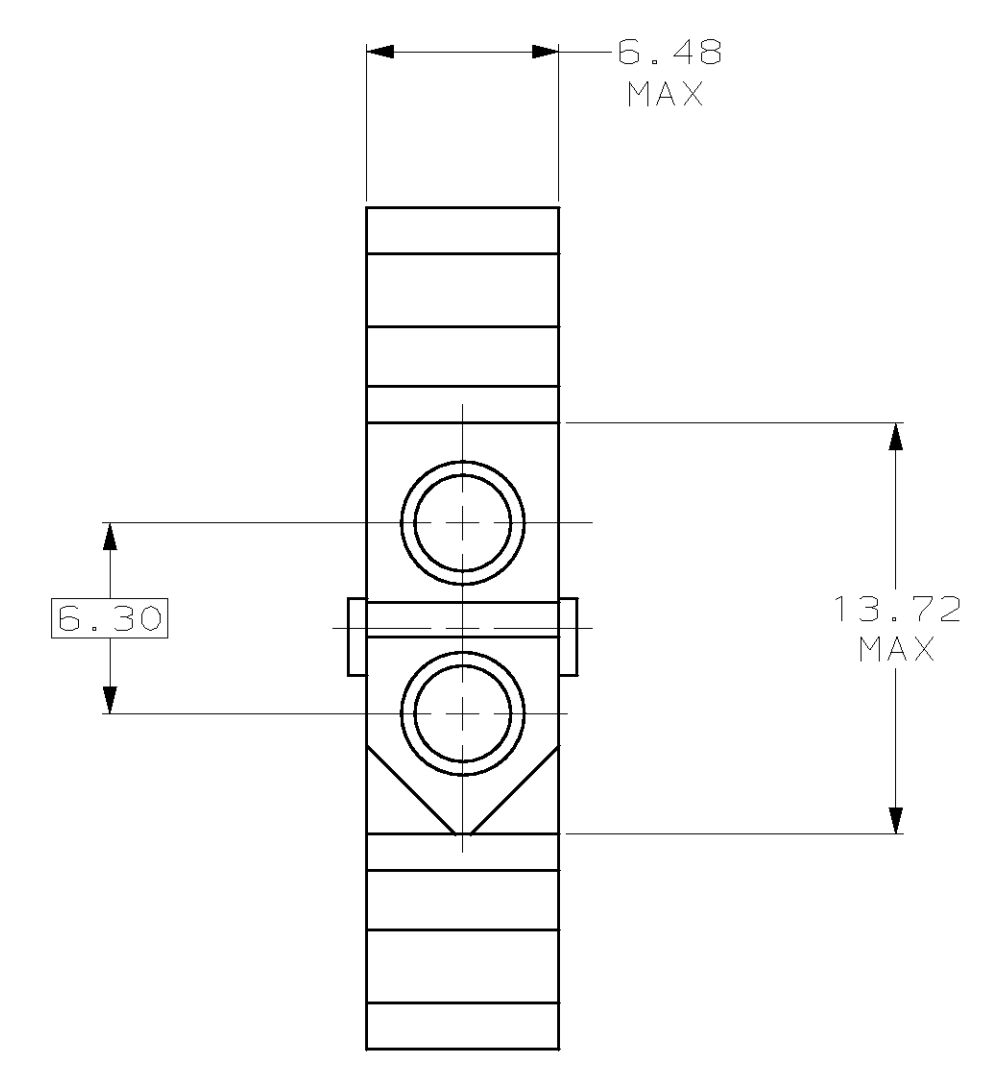
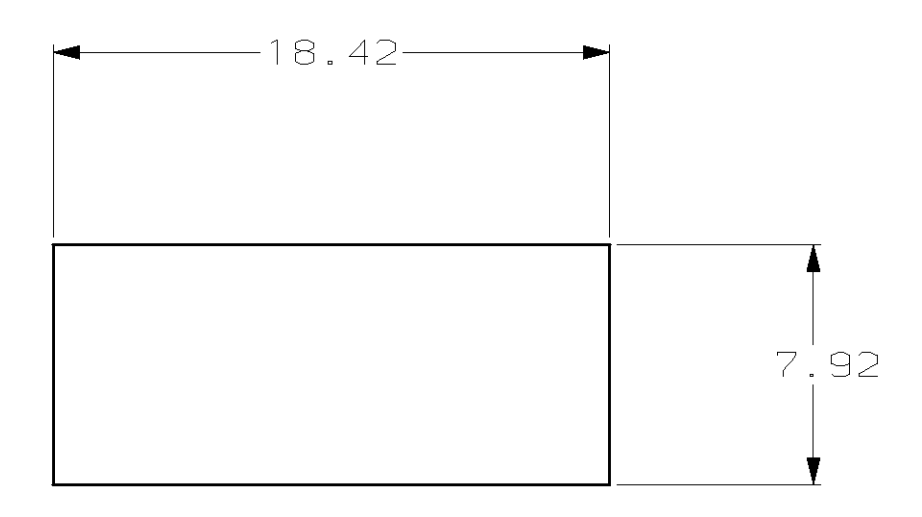


LOC	QTY	REV	DATE	BY	CHK	APPV
CM	53	K	2-11-98	KW	RS	

- RECOMMENDED PANEL THICKNESS 2.29 MAX.
- MARKING FOR UL AND CSA LOGOS LOCATED ON THIS SURFACE.



3-DIMENSIONAL MODEL NTS



RECOMMENDED PANEL CUT OUT

28.58	1.125
27.81	1.095
18.42	.725
13.72	.540
7.92	.312
6.48	.255
6.30	.248
2.36	.093
2.29	.090
0.38	.015
0.25	.010
0.13	.005
MM	IN

CONVERSION TABLE

770066-1
PART NUMBER

METRIC

THIS DRAWING IS A CONTROLLED DOCUMENT.		DWN: K. WHITAKER 2-11-98	AMP AMP Incorporated Harrisburg, PA 17105-3608
DIMENSIONS: mm		CHK: R. SWING 2-11-98	
TOLERANCES UNLESS OTHERWISE SPECIFIED:		APVD: K. CORLE 2-11-98	RECEPTACLE, 2 CIRCUIT, .093 PIN AND SOCKET
0.13	±	PRODUCT SPEC	SIZE: A1
0.25	±	APPLICATION SPEC	SCALE: 4:1
0.38	±	HEIGHT	SHEET 1 OF 1
0.63	±	MATERIAL: NYLON, JL 94V-2, NATURAL	REV: K
1.27	±	FINISH	CUSTOMER DRAWING