

PART NAME: WING KNOB SCALE: 1:1 DATE:12/15/86 DR. BY HD

THIS DRAWING IS THE PROPERTY OF DAVIES MOLDING COMPANY, IS SUBMITTED SOLELY AS A DESIGN OR ENGINEERING PROJECT. WE ACCEPT NO RESPONSIBILITY WHATSOEVER FOR THE PRACTICAL APPLICATION OF THE PIECES MADE TO THIS DESIGN.



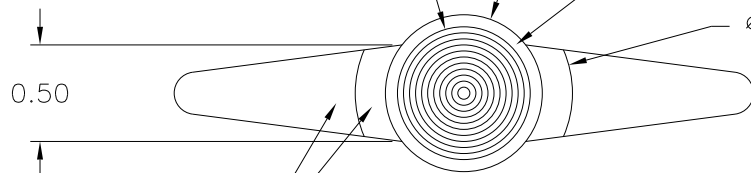
DESIGNERS & MANUFACTURERS OF KNOBS, HANDLES, CASES & CUSTOM PLASTIC COMPONENTS

P/N 3093

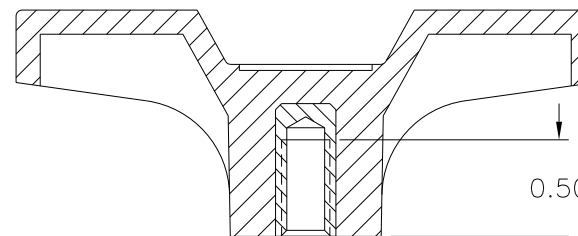
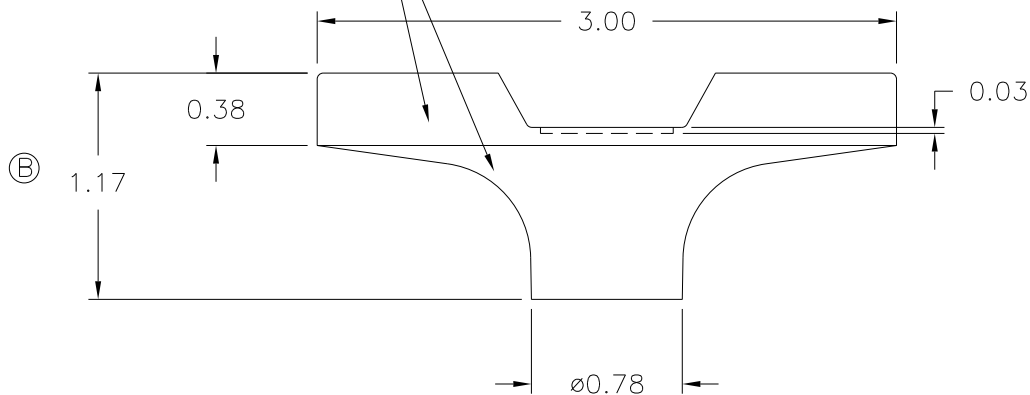
M^{NO.} 70

CAVITY	3093
CORE	3093
CORE PLUG	3093
SLEEVE	3093
PIN	3093
INSERT	I1427

∅0.69 RECESSED CONCENTRIC CIRCLE TEXTURE
 ∅0.81
 DO NOT TEXTURE OUTER RING
 ∅1.13



TEXTURED AREAS AS SHOWN (RE-6220)



1/4-20 UNC-2B THREADED I1427, H.H. BRASS

NOTE : KNOB HGT. REVISED PER Q.C. REPORT AND REQUEST.

(A)
 MATERIAL: POLYPROPYLENE (CLD)
 COLOR: BLACK

TOLERANCES: UNLESS OTHERWISE SPECIFIED	DO NOT SCALE DRAWING	-	RE-DID REDRAW	TL	11/11/99
		B	1.17 WAS 1.06	HD	8/30/96
DECIMALS: X.XXX ± .005 X.XX ± .015	MM: X.XX ± 0.15MM X.X ± 0.4MM	A	WAS NYLON 6/6	HD	8/30/96
		-	CAD REDRAW	HD	7/9/92
FRACTIONS ± 1/64	ANG. ± 1°	CHANGES			