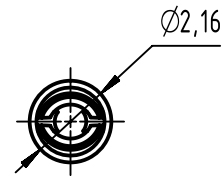
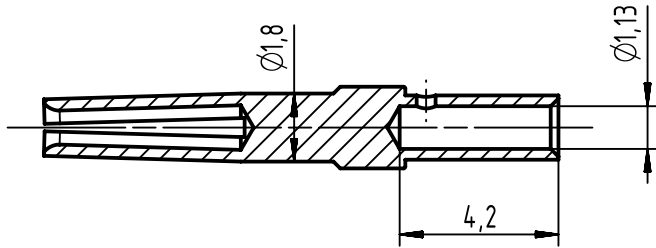


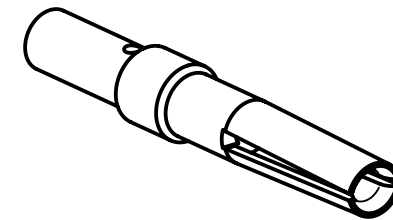
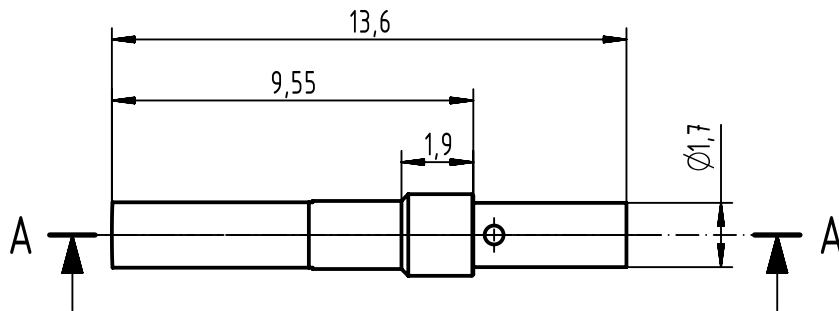
A-A




Crimping of AWG 20-24

Hand tool: 09 99 000 0501

Locator: 09 99 000 0531



	All rights reserved Department EC PD - CN HARTING Electronics GmbH D-32339 Espelkamp	All Dimensions in mm Original Size DIN A4	Scale 5:1	Free size tol.	Ref. Sub.
		Created by ZENG D	Inspected by LUOK	Standardisation HOFFMANN	Date 2015-06-16
Title D-Sub,FE AWG 20-24 crimp cont HMC		Doc-Key / ECM-Nr. 100627020/UGD/000/A 500000090266			Rev. A
Type TB		Number 09670008470			Page 1/1

09 67 000 8470 580	PL1	5000
09 67 000 8470	PL1	100
Part number	Performance level	Bulk packaging