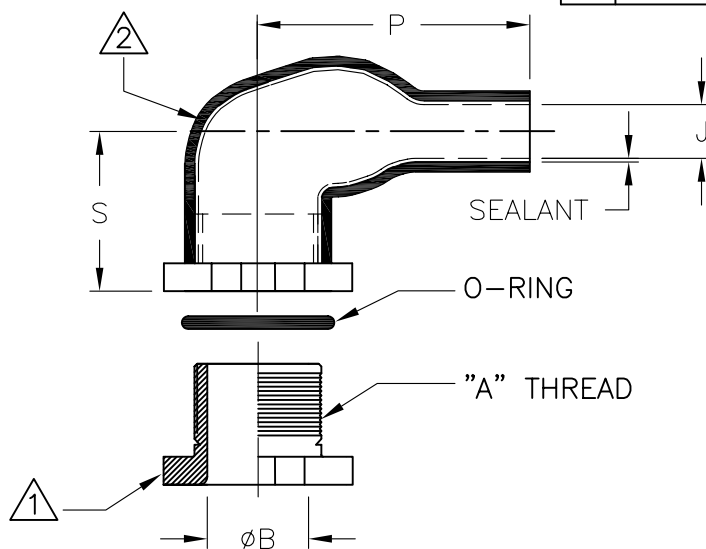


2

1

REVISIONS		
LTR	DESCRIPTION	DATE
D	ECO-07-013142	06/04/2007



PART NUMBER	ØB MIN	ØJ		P REF REC'D	S REF REC'D	DRILL SIZE
		MIN EXP	MAX REC'D			
CES-1R-X	.75 [18,8]	.50 [12,7]	.28 [7,11]	1.40 [35,56]	1.00 [25,40]	1.0 [25,4]
CES-2R-X	.75 [19,05]	.71 [18,03]	.33 [8,38]	1.70 [43,18]	1.10 [27,94]	1.0 [25,4]
CES-3R-X	1.10 [27,94]	1.10 [27,94]	.38 [9,65]	2.10 [53,34]	1.33 [33,78]	1.37 [34,8]
CES-4R-X	1.60 [40,64]	1.60 [40,64]	.62 [15,75]	3.1 [78,74]	1.56 [39,62]	2.0 [50,8]

NOTES:

1. THE LAST "X" IN THE PART NUMBER DESIGNATES MATERIAL AS SHOWN BELOW:
 "A": ALUMINUM 6061 T-6 WITH FINISH OF HARD ANODIZE PER MIL-A-8625, TYPE III, CLASS 2, DYED BLACK.
 "B": STAINLESS STEEL TYPE 316, WITH FINISH OF PASSIVATE PER QQ-P-35, OR MIL-S-5002. FOR STANDARD BLACK NYLON MATERIAL, OMIT THE LAST "X" IN THE PART NUMBER. (e.g. CES-3R).
2. HEAT SHRINKABLE BOOT MATERIAL IN ACCORDANCE WITH -3 POLYOLEFIN.

3. FACTORY APPLIED ADHESIVE IS STANDARD.

SPECIFICATION REFERENCE

BOOT MATERIAL: RT-301
 ADHESIVE: RW-2019

If this document is printed it becomes uncontrolled. Check for the latest revision

CUSTOMER DRAWING

© 2006-2007 Tyco Electronics Corporation. All rights reserved.

Tyco Electronics

305 Constitution Dr
 Menlo Park, CA 94025

Raychem

UNLESS OTHERWISE SPECIFIED
 DIMENSIONS ARE INCHES. METRIC
 DIMENSIONS ARE IN BRACKETS.

DRAWN U. NGUYEN DATE 06/04/07

TITLE

CABLE ENTRY SEALS,
 RIGHT ANGLE, STANDARD

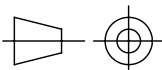
DECIMAL TOLERANCES

.XXX ± 0.005 [0.13 mm]
 .XX ± 0.01 [0.25 mm]
 .X ± 0.1 [0.50 mm]

ANGLE TOLERANCE
 .X ± 1 DEG.

RPN
 XXXXXX-000

THIRD ANGLE
 PROJECTION



SIZE CODE IDENT NO. DWG. NO.
 A 06090 CES-XR-X

DO NOT SCALE THIS DRAWING

SHEET 1 OF 1

2

1