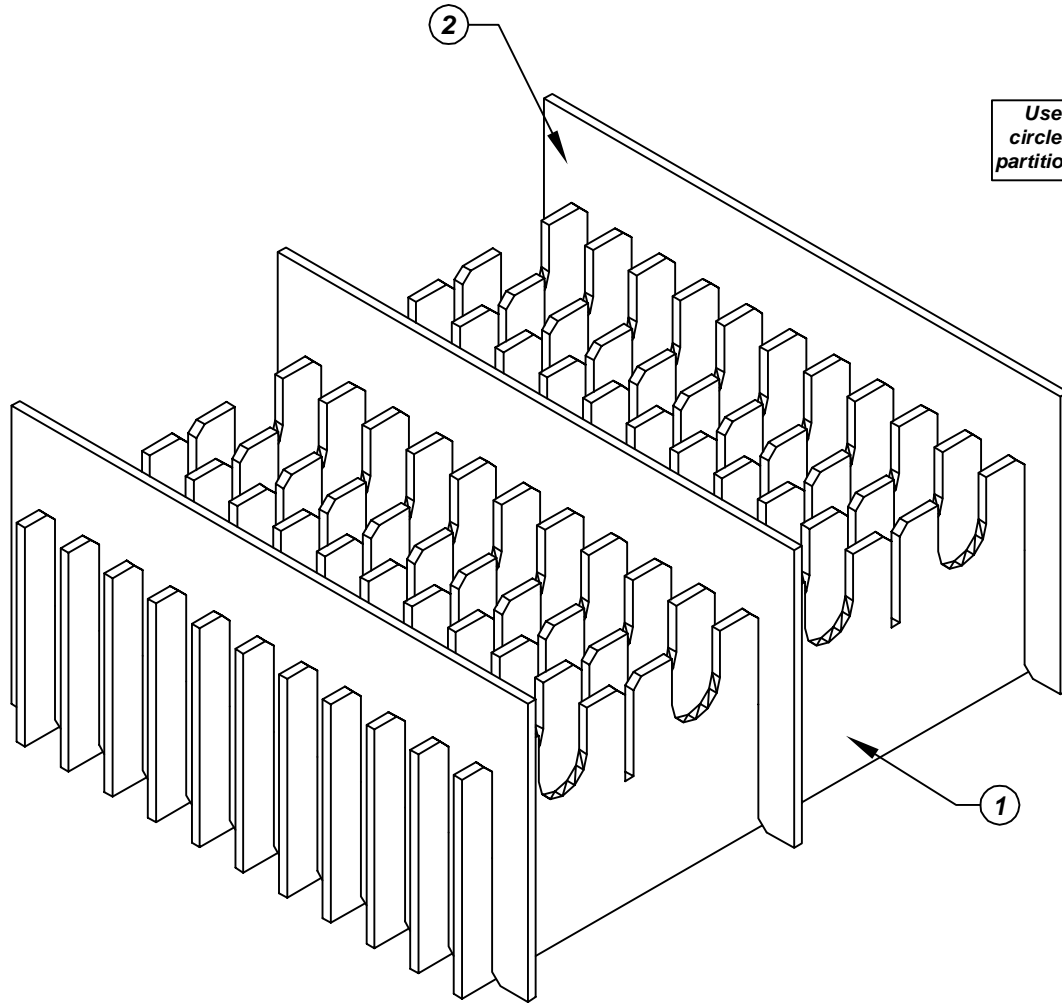
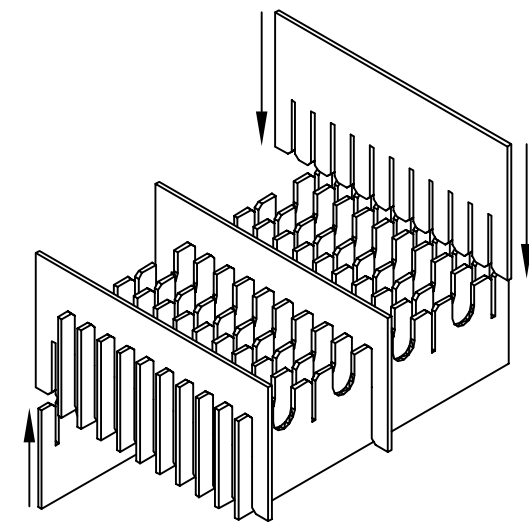
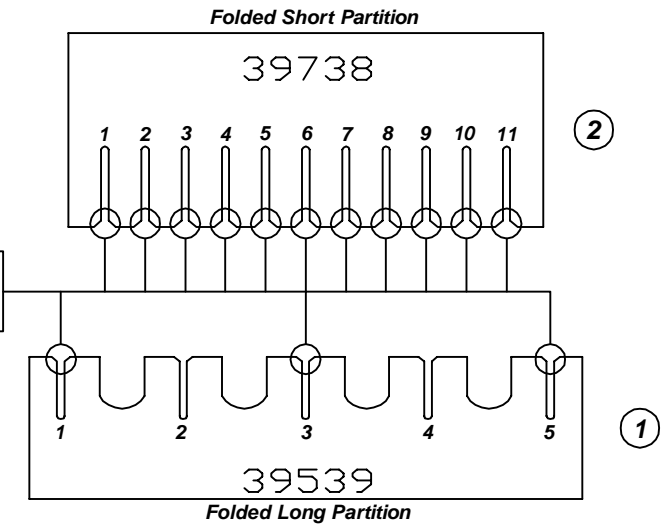


# Assembly Instructions for - 37400



Use only the circled slots for partition assembly



Made in America

F/N ①	Part # 39539	Dimensions: 12" x 18-5/8"	Description: 406/468-LP-20/40 Long Partition	Qty: 11
F/N ②	Part # 39738	Dimensions: 16-1/4" x 15"	Description: 468-SP-12 Short Partition	Qty: 3

## 37400 - 24 Cell Inplant Handler Cell Size - 8" x 8-1/8" x 1"

Notes:  
For use with the following storage container & lid:  
37527 - Storage Container  
37554 - Lid

PROTEKTIVE PAK  
13520 MONTE VISTA AVENUE, CHINO, CA 91710  
PHONE (909) 627-2578, FAX (909) 363-7331  
ProtectivePak.com



DRAWING NUMBER  
**IPH-37400**

DATE  
Dec.  
2007