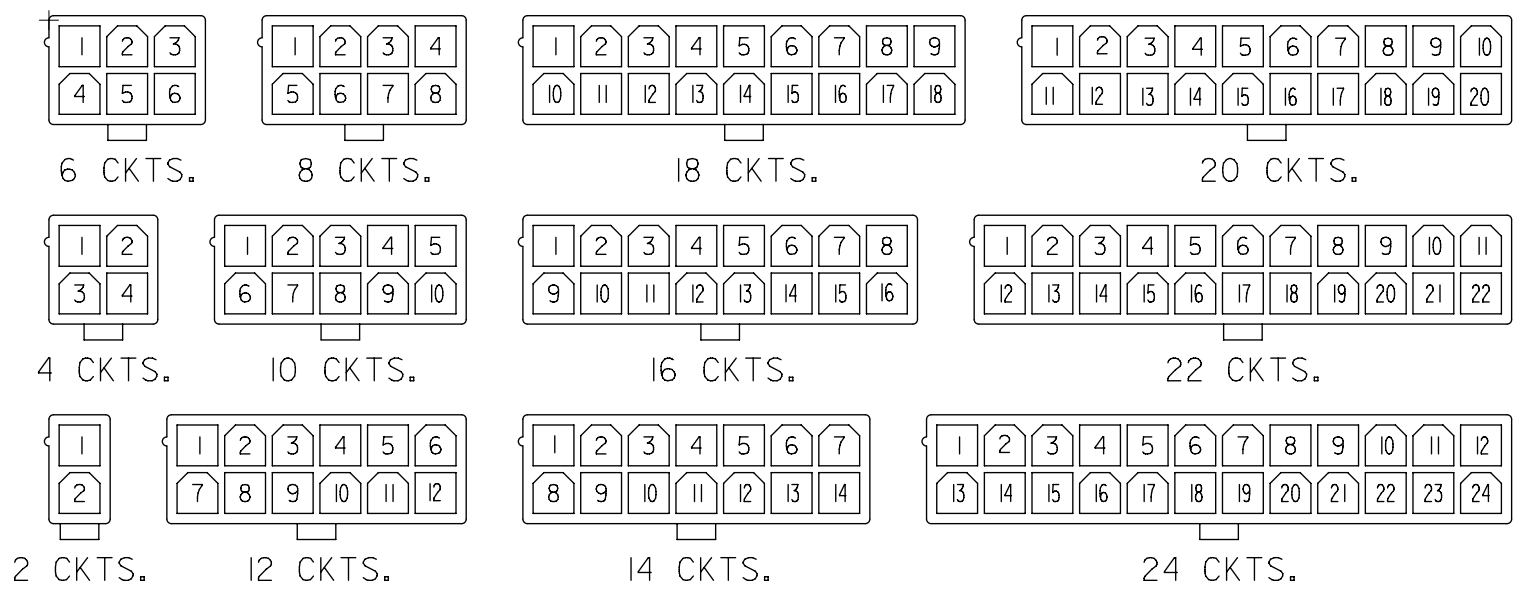
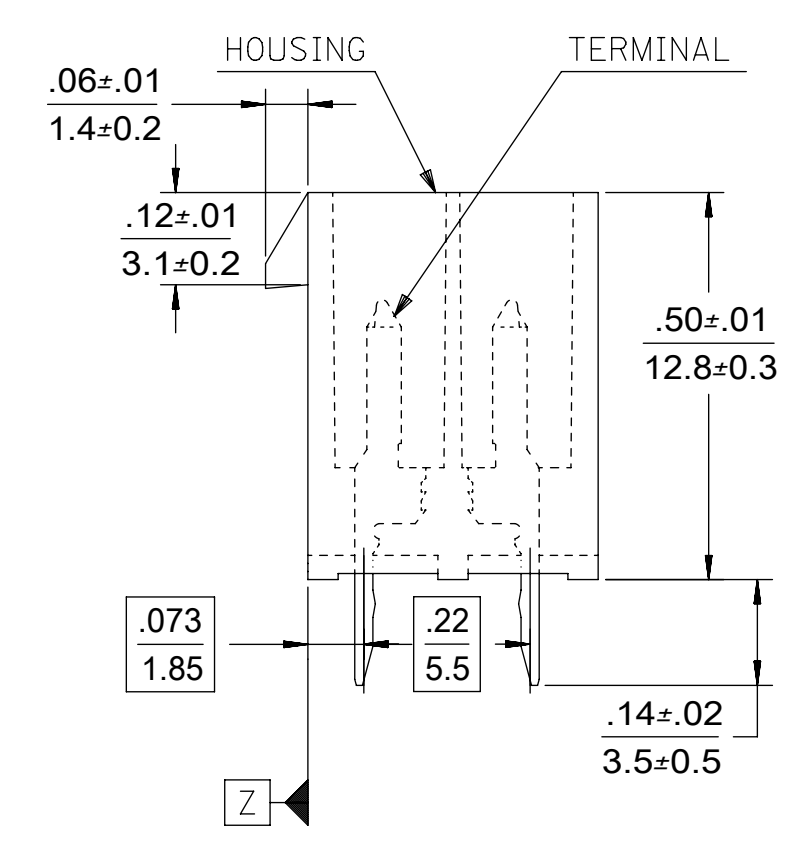
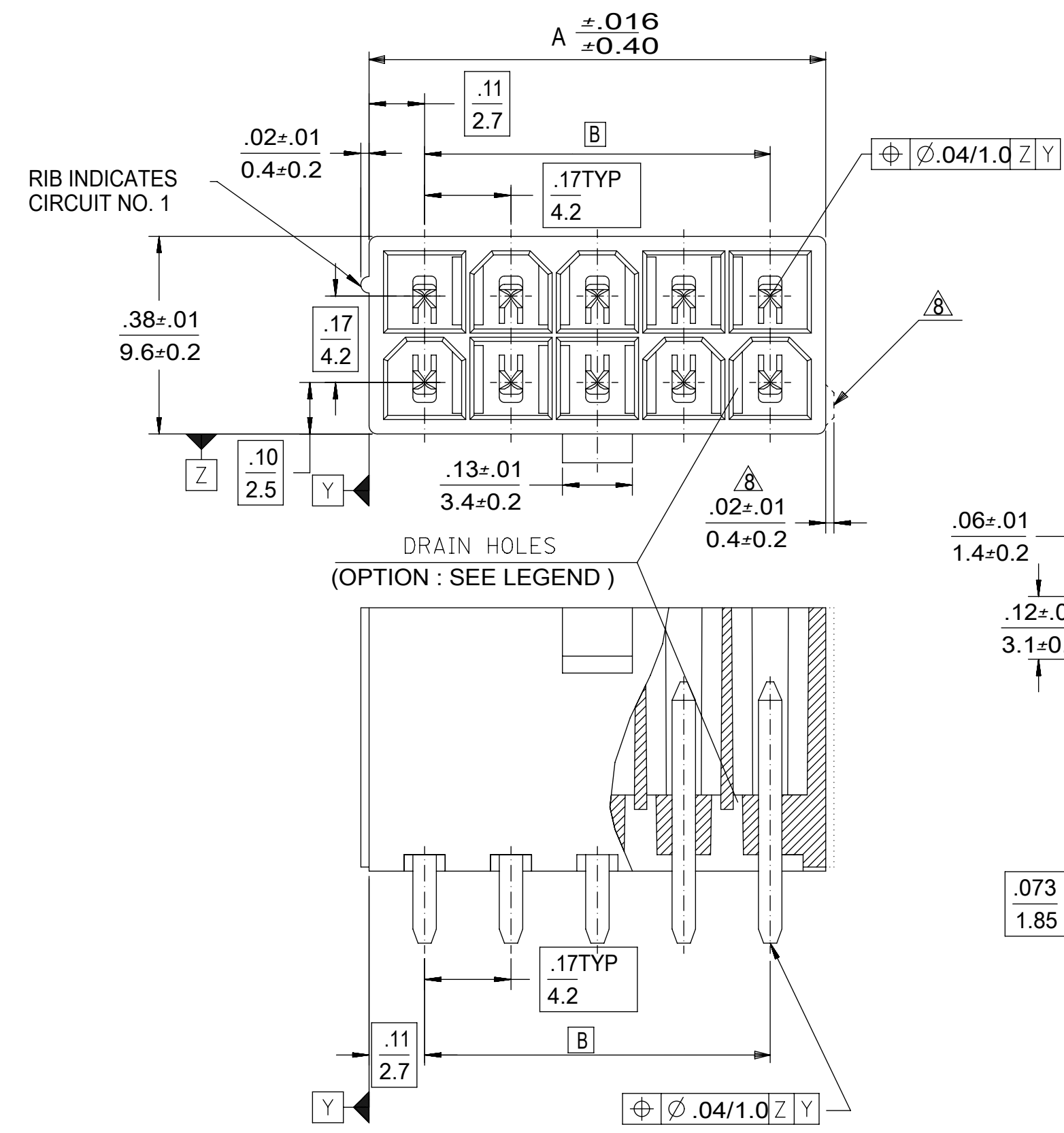


CIRCUIT SIZE	DIM. "A"	DIM. "B"
2	.21 (5.4)	—
4	.38 (9.6)	.17 (4.2)
6	.54 (13.8)	.33 (8.4)
8	.71 (18.0)	.50 (12.6)
10	.87 (22.2)	.66 (16.8)
12	1.04 (26.4)	.83 (21.0)
14	1.20 (30.6)	.99 (25.2)
16	1.37 (34.8)	1.16 (29.4)
18	1.54 (39.0)	1.32 (33.6)
20	1.70 (43.2)	1.49 (37.8)
22	1.87 (47.4)	1.65 (42.0)
24	2.03 (51.6)	1.82 (46.2)

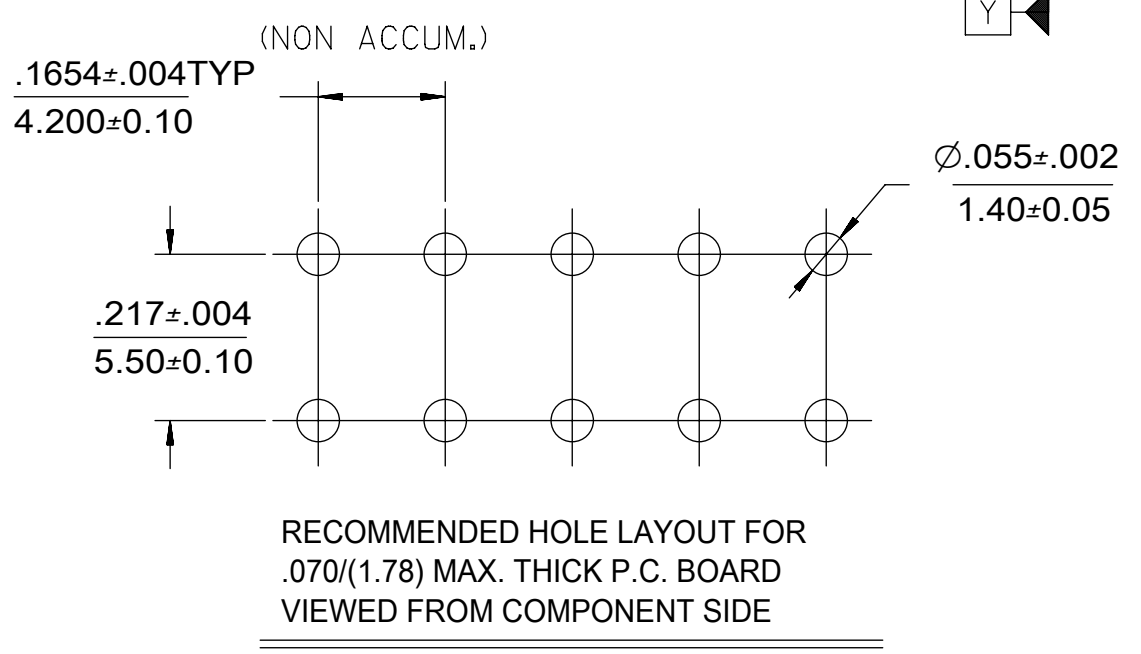
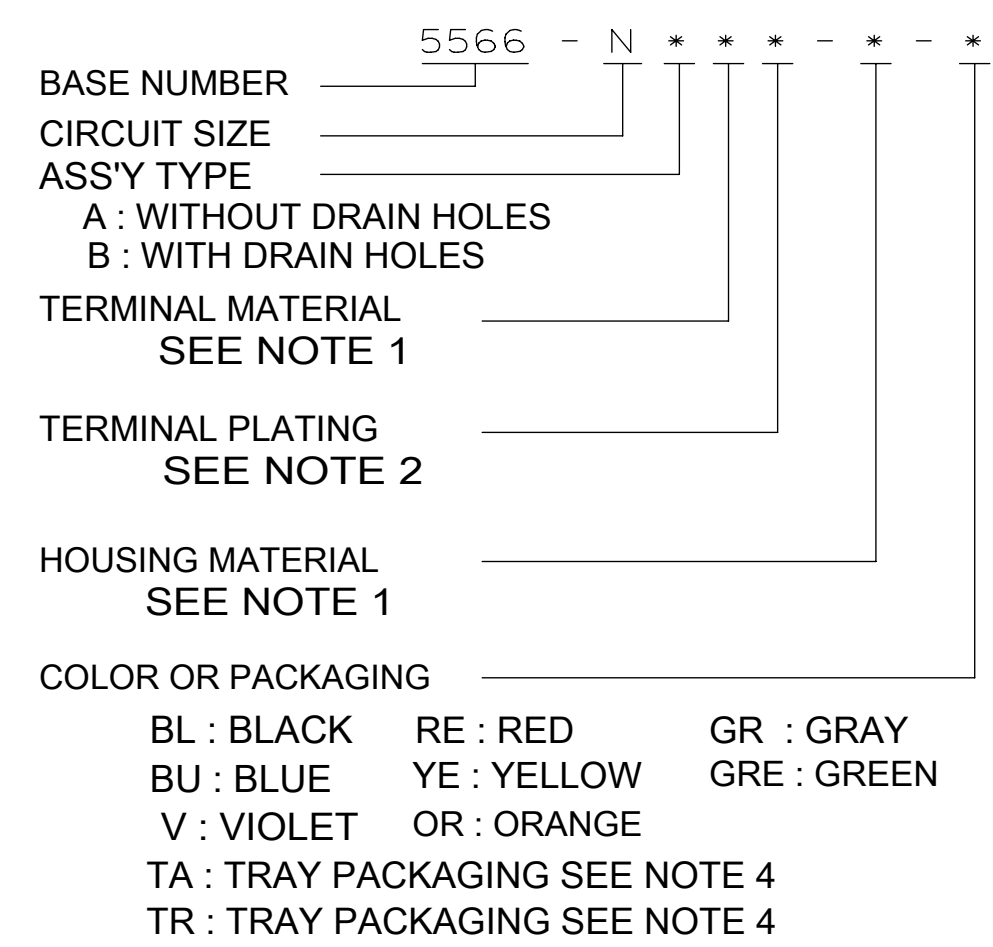


CIRCUIT SIZE LAYOUT



- NOTES:
- MATERIALS:
HOUSING:
"BLANK"=NYLON 6/6, UL94V-2, COLOR: NATURAL
"210"=NYLON 6/6, UL94V-0, COLOR: NATURAL
"400"=NYLON 6/6, UL94V-0, COLOR: BLACK
TERMINALS:
"BLANK" = BRASS
"PB" = PHOSPHOR BRONZE
 - TERMINAL PLATING:
"BLANK" = REFLOWED MATTE TIN 000035/(0.00090) MIN.
OVER COPPER .000020/(0.00050) MIN. (BRASS) (PREPLATE)
OR REFLOWED MATTE TIN .000035/(0.00090) MIN. (PHOSPHOR BRONZE) (PREPLATE)
(FINISH IS BRIGHT IN APPEARANCE, THICKNESS AS APPLIED PRIOR TO REFLOW)
"S"=.000100/(0.00254) MIN. BRIGHT TIN OVER
.000050/(0.00127) MIN NICKEL
"GS2"=.000015/(0.00038) MIN. SELECT GOLD AND
.000100/(0.00254) MIN. SELECT MATTE TIN
OVER .000050/(0.00127) MIN. NICKEL OVERALL
"GS"=.000030/(0.00076) MIN. SELECT GOLD AND
.000100/(0.00254) MIN. SELECT MATTE TIN
OVER .000050/(0.00127) MIN. NICKEL OVERALL
 - PRODUCT SPECIFICATION: PS-5556-001
 - PACKAGING: "BLANK"= BULK PACKED,
"TA"=TRAY PACK PER PK-5566-001, "TR"=TRAY PACK PER PK-5566
 - PART MATES WITH MINI-FIT JR. RECEPTACLE NO. 5557.
 - PART IS NOT DESIGNED FOR CURRENT SHARING.
 - PARTS ARE NOT DESIGNED TO BE MATED OR UN-MATED WHILE CIRCUITS ARE LIVE.
 - ANTI-SHINGLING RIB MAY OR MAY NOT APPEAR ON HOUSINGS.
 - PART CONFORMS TO CLASS "B" REQUIREMENTS OF COSMETIC SPECIFICATION PS-45499-002.
 - TEXT ON PART IS FOR REFERENCE ONLY. TEXT AND TEXT LOCATION MAY VARY DEPENDING ON PART NUMBER AND/OR TOOL.

LEGEND



QUALITY SYMBOLS		THIS DRAWING CONTAINS INFORMATION THAT IS PROPRIETARY TO MOLEX ELECTRONIC TECHNOLOGIES, LLC AND SHOULD NOT BE USED WITHOUT WRITTEN PERMISSION		DIMENSION UNITS		SCALE		molex			
▽ = 0	▽ = 0	2016/08/26	2016/09/20	GENERAL TOLERANCES (UNLESS SPECIFIED)	IN/MM	4:1	<div style="text-align: center;"> <p>MINI FIT JR VERTICAL HEADER ASSEMBLIES WITHOUT PEGS</p> <p>PRODUCT CUSTOMER DRAWING</p> </div>				
▽ = 0	▽ = 0	2016/09/23	2016/09/23	MM INCH	DRWN BY	DATE					
▽ = 0	▽ = 0	4 PLACES ±	±	H.HIRAMOTO	1989/04/03	DATE					
▽ = 0	▽ = 0	3 PLACES ±	± 0.005	CHK'D BY	DATE	DATE					
▽ = 0	▽ = 0	2 PLACES ±	± 0.13 ± 0.01	M.FUKUSHIMA	1994/04/20	DATE					
▽ = 0	▽ = 0	1 PLACES ±	± 0.25 ±	APPR BY	DATE	DATE					
▽ = 0	▽ = 0	0 PLACES ±	±	FSMITH	2012/05/04	DATE					
▽ = 0	▽ = 0	ANGULAR TOL = 0.5		DRAWING SIZE	THIRD ANGLE PROJECTION						
▽ = 0	▽ = 0	DRAFT WHERE APPLICABLE MUST REMAIN WITHIN DIMENSIONS		C							
▽ = 0	▽ = 0										
RELEASE STATUS		RELEASE DATE		SERIES		MATERIAL NUMBER		CUSTOMER			
				5566		SEE TABLE		GENERAL MARKET			
				DOCUMENT NUMBER		DOC TYPE		DOC PART		SHEET NUMBER	
				SD-5566-002		PSD		000		1 OF 5	

	12	11	10	9	8	7	6	5	4	3	2	1	
				39-30-9245	5566-24AGS2-210	39-29-6248	5566-24AGS-210				39-28-8240	5566-24A-210	24
				39-30-9225	5566-22AGS2-210	39-29-6228	5566-22AGS-210				39-28-8220	-22A-210	22
				39-30-9205	5566-20AGS2-210	39-29-6208	5566-20AGS-210				39-28-8200	-20A-210	20
				39-30-9185	5566-18AGS2-210	39-29-6188	5566-18AGS-210				39-28-8180	-18A-210	18
				39-30-9165	5566-16AGS2-210	39-29-6168	5566-16AGS-210	39-30-6162	5566-16AS-210		39-28-8160	-16A-210	16
				39-30-9145	5566-14AGS2-210	39-29-6148	5566-14AGS-210				39-28-8140	-14A-210	14
				39-30-9125	5566-12AGS2-210	39-29-6128	5566-12AGS-210				39-28-8120	-12A-210	12
				39-30-9105	5566-10AGS2-210	39-29-6108	5566-10AGS-210				39-28-8100	-10A-210	10
				39-30-9085	5566-08AGS2-210	39-29-6088	5566-08AGS-210	39-30-6082	5566-08AS-210		39-28-8080	-08A-210	8
				39-30-9065	5566-06AGS2-210	39-29-6068	5566-06AGS-210	39-30-6062	5566-06AS-210		39-28-8060	-06A-210	6
				39-30-9045	5566-04AGS2-210	39-29-6048	5566-04AGS-210	39-30-6042	5566-04AS-210		39-28-8040	-04A-210	4
				39-30-9025	5566-02AGS2-210	39-29-6028	5566-02AGS-210				39-28-8020	5566-02A-210	2
	EDP NO.	ENG. NO.	EDP NO.	ENG. NO.	EDP NO.	ENG. NO.	EDP NO.	ENG. NO.	EDP NO.	ENG. NO.	EDP NO.	ENG. NO.	CKT. SIZE
	5566-NAPB-210		5566-NAGS2-210		5566-NAGS-210		5566-NAS-210		5566-NA-210				
	39-29-5246	5566-24APB	39-30-9244	5566-24AGS2	39-29-0243	5566-24AGS					39-28-1243	5566-24A	24
			39-30-9224	5566-22AGS2	39-29-0223	5566-22AGS					39-28-1223	5566-22A	22
			39-30-9204	5566-20AGS2	39-29-0203	5566-20AGS					39-28-1203	5566-20A	20
			39-30-9184	5566-18AGS2	39-29-0183	5566-18AGS					39-28-1183	5566-18A	18
			39-30-9164	5566-16AGS2	39-29-0163	5566-16AGS					39-28-1163	5566-16A	16
	39-29-5146	5566-14APB	39-30-9144	5566-14AGS2	39-29-0143	5566-14AGS					39-28-1143	5566-14A	14
			39-30-9124	5566-12AGS2	39-29-0123	5566-12AGS					39-28-1123	5566-12A	12
	39-29-5106	5566-10APB	39-30-9104	5566-10AGS2	39-29-0103	5566-10AGS	39-30-6101	5566-10AS			39-28-1103	5566-10A	10
	39-29-5086	5566-08APB	39-30-9084	5566-08AGS2	39-29-0083	5566-08AGS	39-30-6081	5566-08AS			39-28-1083	5566-08A	8
	39-29-5066	5566-06APB	39-30-9064	5566-06AGS2	39-29-0063	5566-06AGS					39-28-1063	5566-06A	6
	39-29-5046	5566-04APB	39-30-9044	5566-04AGS2	39-29-0043	5566-04AGS					39-28-1043	5566-04A	4
	39-29-5026	5566-02APB	39-30-9024	5566-02AGS2	39-29-0023	5566-02AGS					39-28-1023	5566-02A	2
	EDP NO.	ENG. NO.	EDP NO.	ENG. NO.	EDP NO.	ENG. NO.	EDP NO.	ENG. NO.	EDP NO.	ENG. NO.	EDP NO.	ENG. NO.	CKT. SIZE
	5566-NAPB		5566-NAGS2		5566-NAGS		5566-NAS		5566-NA				

PARTS WITH OUT DRAIN HOLES

QUALITY SYMBOLS 	THIS DRAWING CONTAINS INFORMATION THAT IS PROPRIETARY TO MOLEX ELECTRONIC TECHNOLOGIES, LLC AND SHOULD NOT BE USED WITHOUT WRITTEN PERMISSION																														
	UPDATE NOTE 2 EC NO: 107869 DRWN: CSLAFTER CHKD: JBELL REV: APPR: FSMITH	GENERAL TOLERANCES (UNLESS SPECIFIED) <table border="1"> <tr> <th></th> <th>MM</th> <th>INCH</th> </tr> <tr> <td>4 PLACES</td> <td>±</td> <td>±</td> </tr> <tr> <td>3 PLACES</td> <td>±</td> <td>± 0.005</td> </tr> <tr> <td>2 PLACES</td> <td>± 0.13</td> <td>± 0.01</td> </tr> <tr> <td>1 PLACES</td> <td>± 0.25</td> <td>±</td> </tr> <tr> <td>0 PLACES</td> <td>±</td> <td>±</td> </tr> </table>					MM	INCH	4 PLACES	±	±	3 PLACES	±	± 0.005	2 PLACES	± 0.13	± 0.01	1 PLACES	± 0.25	±	0 PLACES	±	±	DIMENSION UNITS IN/MM		SCALE 1:1		 MINI FIT JR VERTICAL HEADER ASSEMBLIES WITHOUT PEGS PRODUCT CUSTOMER DRAWING			
			MM	INCH																											
		4 PLACES	±	±																											
		3 PLACES	±	± 0.005																											
		2 PLACES	± 0.13	± 0.01																											
	1 PLACES	± 0.25	±																												
	0 PLACES	±	±																												
	DRWN BY H.HIRAMOTO		DATE 1989/04/03																												
	CHK'D BY M.FUKUSHIMA		DATE 1994/04/20																												
APPR BY FSMITH		DATE 2012/05/04																													
ANGULAR TOL = 0.5		DRAWING SIZE C		THIRD ANGLE PROJECTION 																											
DRAFT WHERE APPLICABLE MUST REMAIN WITHIN DIMENSIONS																															
SERIES 5566		MATERIAL NUMBER SEE TABLE			CUSTOMER GENERAL MARKET																										
DOCUMENT NUMBER SD-5566-002				DOC TYPE PSD		DOC PART 000		SHEET NUMBER 2 OF 5																							

					24
					22
					20
					18
					16
					14
					12
					10
					8
					6
					4
					2
					CKT. SIZE
					24
					22
					20
					18
					16
					14
					12
					10
					8
					6
					4
					2
					CKT. SIZE
					24
					22
					20
					18
					16
					14
					12
					10
					8
					6
					4
					2
					CKT. SIZE
					24
					22
					20
					18
					16
					14
					12
					10
					8
					6
					4
					2
					CKT. SIZE
					24
					22
					20
					18
					16
					14
					12
					10
					8
					6
					4
					2
					CKT. SIZE
					24
					22
					20
					18
					16
					14
					12
					10
					8
					6
					4
					2
					CKT. SIZE
					24
					22
					20
					18
					16
					14
					12
					10
					8
					6
					4
					2
					CKT. SIZE
					24
					22
					20
					18
					16
					14
					12
					10
					8
					6
					4
					2
					CKT. SIZE
					24
					22
					20
					18
					16
					14
					12
					10
					8
					6
					4
					2
					CKT. SIZE
					24
					22
					20
					18
					16
					14
					12
					10
					8
					6
					4
					2
					CKT. SIZE
					24
					22
					20
					18
					16
					14
					12
					10
					8
					6
					4
					2
					CKT. SIZE
					24
					22
					20
					18
					16
					14
					12
					10
					8
					6
					4
					2
					CKT. SIZE
					24
					22
					20
					18
					16
					14
					12
					10
					8
					6
					4
					2
					CKT. SIZE
					24
					22
					20
					18
					16
					14
					12
					10
					8
					6
					4
					2
					CKT. SIZE
					24
					22
					20
					18
					16
					14
					12
					10
					8
					6
					4
					2
					CKT. SIZE
					24
					22
					20
					18
					16
					14
					12
					10
					8
					6
					4
					2
					CKT. SIZE
					24
					22
					20
					18
					16
					14
					12
					10
					8
					6
					4
					2
					CKT. SIZE
					24
					22
					20
					18
					16
					14
					12
					10
					8
					6
					4
					2
					CKT. SIZE
					24
					22
					20
					18
					16
					14
					12
					10
					8
					6
					4
					2
					CKT. SIZE
					24
					22
					20
					18
					16
					14
					12
					10
					8
					6
					4
					2
					CKT. SIZE
					24
					22
					20
					18
					16
					14
					12
					10
					8
					6
					4
					2
					CKT. SIZE
					24
					22
					20
					18
					16
					14
					12
					10
					8
					6
					4
					2
					CKT. SIZE
					24
					22
					20
					18
					16
					14
					12
					10
					8
					6
					4
					2
					CKT. SIZE
					24
					22
					20
					18
					16
					14
					12
					10
					8
					6
					4
					2
					CKT. SIZE
					24
					22
					20
					18
					16
					14
					12
					10
					8
					6
					4
					2
					CKT. SIZE
					24
					22
					20
					18
					16
					14
					12
					10
					8
					6
					4
					2
					CKT. SIZE
					24
					22
					20
					18
					16
					14
					12
					10
					8
					6
					4
					2
					CKT. SIZE
					24
					22
					20
					18
					16
					14
					12
					10
					8
					6
	</				

TRAY PACKED PART NUMBERS
SEE SD-5566-222 FOR ADDITIONAL
TRAY PACKED PART #'S

PARTS WITHOUT DRAIN HOLES					24
					22
					20
			39-53-9188	5566-18A-TA	18
					16
					14
					12
					10
					8
		46999-0630	5566-06AGS2-BL-TA		6
	46999-0629	5566-04AGS2-BL-TA		4	
				2	
	EDP NO.	ENG. NO.	EDP NO.	ENG. NO.	CKT. SIZE
	5566-NAGS2-BL-TA		5566-NA-TA		

QUALITY SYMBOLS 		THIS DRAWING CONTAINS INFORMATION THAT IS PROPRIETARY TO MOLEX ELECTRONIC TECHNOLOGIES, LLC AND SHOULD NOT BE USED WITHOUT WRITTEN PERMISSION		DIMENSION UNITS: IN/MM SCALE: 1:1				
EC NO: 107869 DRWN: CSLAFTER CHKD: JBELL REV APPR: FSMITH		GENERAL TOLERANCES (UNLESS SPECIFIED) MM INCH 4 PLACES ± ± 3 PLACES ± ± 0.005 2 PLACES ± 0.13 ± 0.01 1 PLACES ± 0.25 ± 0 PLACES ± ± ANGULAR TOL = 0.5 DRAFT WHERE APPLICABLE MUST REMAIN WITHIN DIMENSIONS		DRWN BY: H.HIRAMOTO DATE: 1989/04/03 CHK'D BY: M.FUKUSHIMA DATE: 1994/04/20 APPR BY: FSMITH DATE: 2012/05/04 DRAWING SIZE: C THIRD ANGLE PROJECTION				
UPDATE NOTE 2		DRAFT WHERE APPLICABLE MUST REMAIN WITHIN DIMENSIONS		PRODUCT CUSTOMER DRAWING		SERIES: 5566 MATERIAL NUMBER: SEE TABLE CUSTOMER: GENERAL MARKET		
RELEASE STATUS: P1 RELEASE DATE: 23.09.2016 15:40:44		M		DOCUMENT NUMBER: SD-5566-002 DOC TYPE: PSD DOC PART: 000 SHEET NUMBER: 5 OF 5				