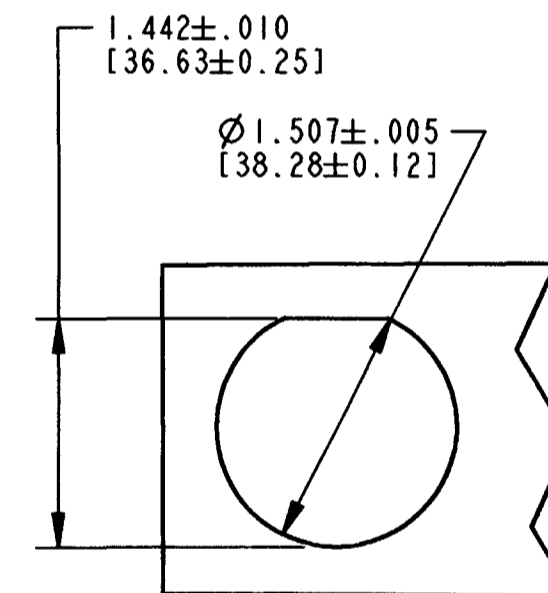
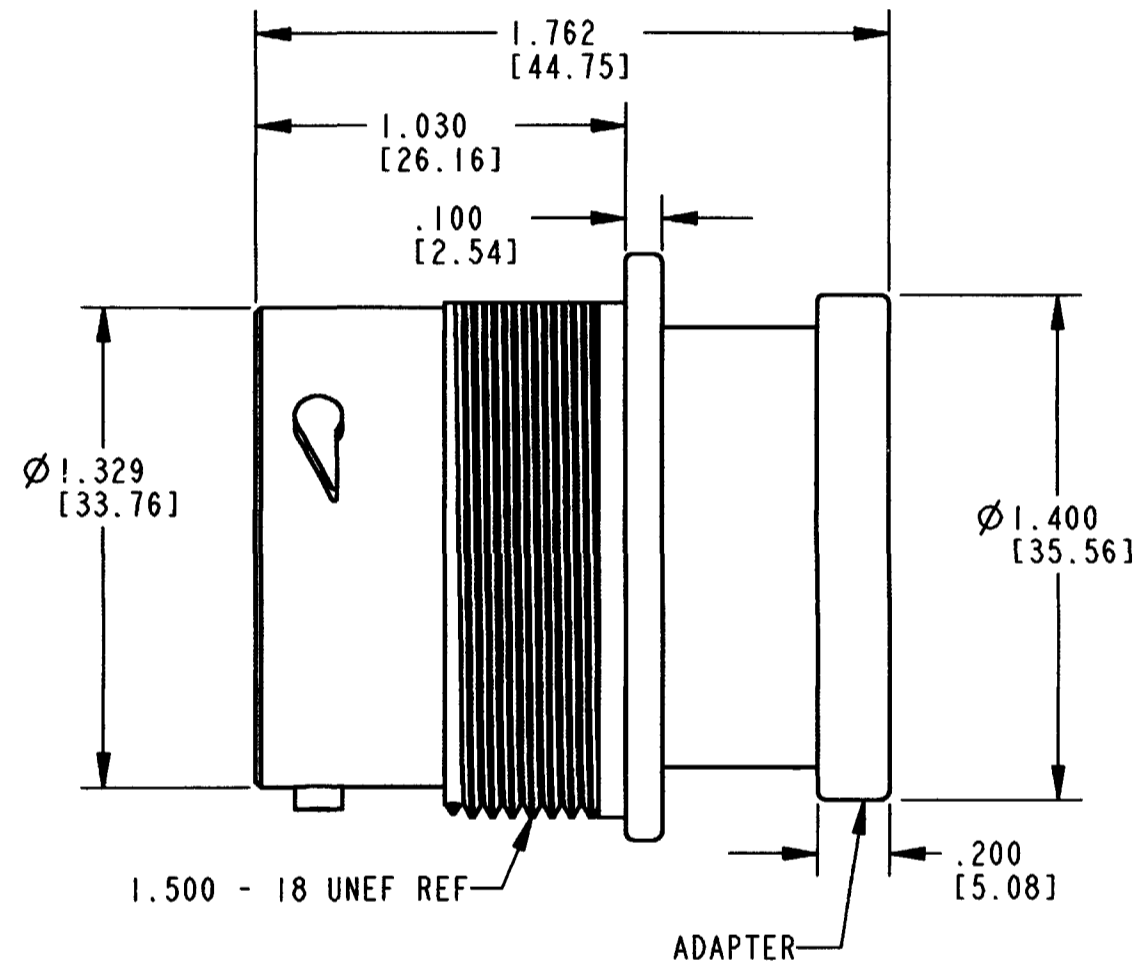
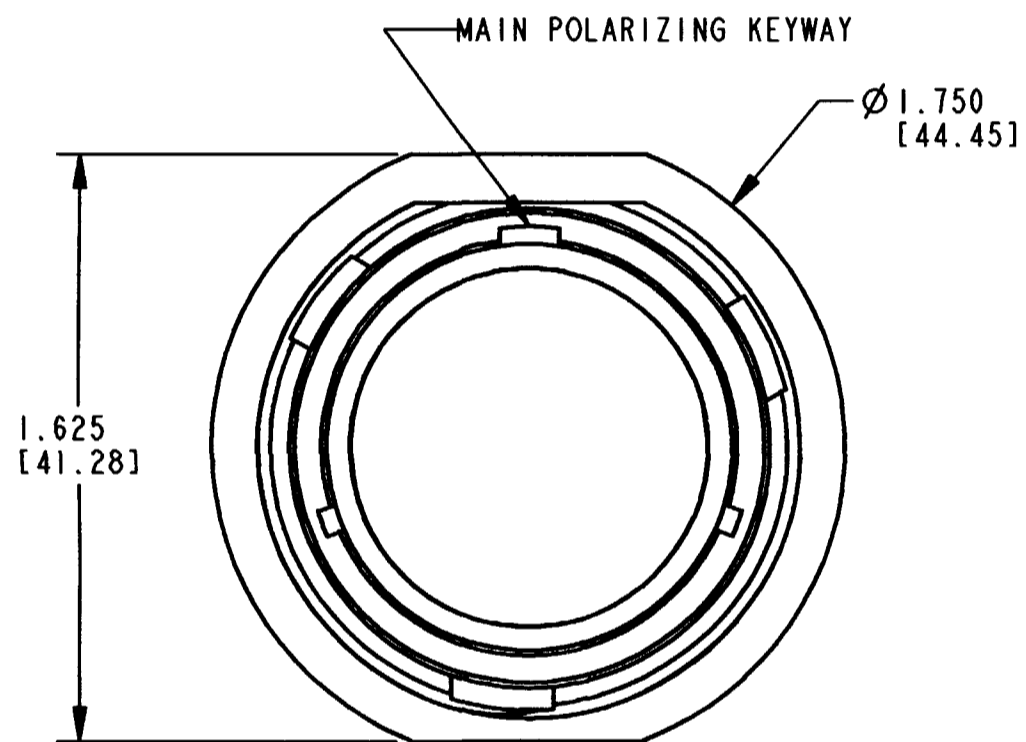


REV
NC HDP24-18-P/S-L017

REVISIONS			
SYM	DESCRIPTION	DATE	APPROVED
NC	NEW RELEASE PER E.O. P18277	9-3-03	ROR



9. THIS RECEPTACLE TO BE USED WITH 2411-002-1805 (PLASTIC) PANEL NUT.
8. FOR PERFORMANCE AND APPLICATION CHARACTERISTICS SEE ENVELOPE DRAWING 0425-021-0000.
7. THIS RECEPTACLE MATES WITH HDP26-18-***P/S-**** (**** = ALL MODIFICATIONS)
6. DIMENSION TOLERANCES ARE ±.025[±0.63] UNLESS NOTED OTHERWISE.
5. FOR CONTACTS AND WIRE PERFORMANCE AND APPLICATION CHARACTERISTICS SEE ENVELOPE DWG. 0425-015-0000.
4. ALL DIMENSIONS ARE INCHES [MILLIMETERS].
3. RECOMMENDED PANEL THICKNESS: .062[1.57] TO .1875[4.76] MAX.
2. BACKSHELL ADAPTER COLOR REFLECTS WIRE SEAL DIAMETER. (GREEN="N" SEAL; GREY="T" SEAL; BLUE="E" SEAL).
1. FOR CONTACTS ARRANGEMENTS, SEE ENVELOPE DRAWING 0425-013-1800.

NOTES:

SIGNATURE & DATE	
DR	A. ROLINSKI 8/12/03
CHK	J. Gantel 9/2/03
PE	A. Rolinski 8/18/03
APPD	J. Beard 8/18/03
SCALE	NONE WT

PLASTIC RECEPTACLE
CONNECTOR
BAYONET COUPLING
HDP SERIES
-L017 MOD

ENVELOPE

CP	MATL. CODE
The Deutsch Company DEUTSCH I.P.D. 3850 INDUSTRIAL AVE. HEMET, CALIF. 92545	
B	HDP24-18-P/S-L017
DWG SIZE	CODE 11139 SHEET OF