

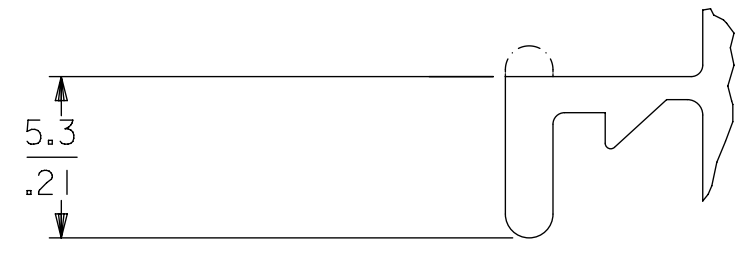
PLUG	
ORDER NO	ENG NO
03-06-2062	1625-6P
03-06-2061	1625-6P1
03-06-7061	1625-6P1BK
46999-0804	1625-6P2

RECEPTACLE	
ORDER NO	ENG NO
03-06-1061	1625-6R
03-06-1062	1625-6R1
03-06-6062	1625-6R1BK
46999-0805	1625-6R2

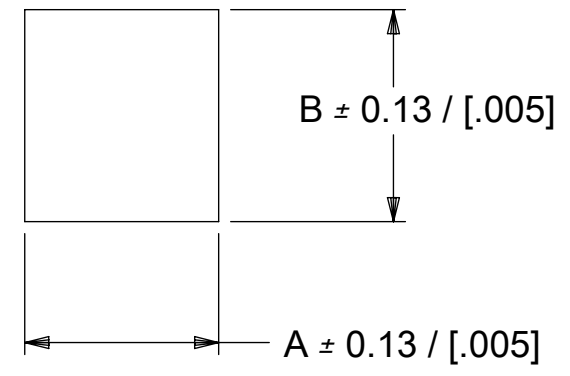
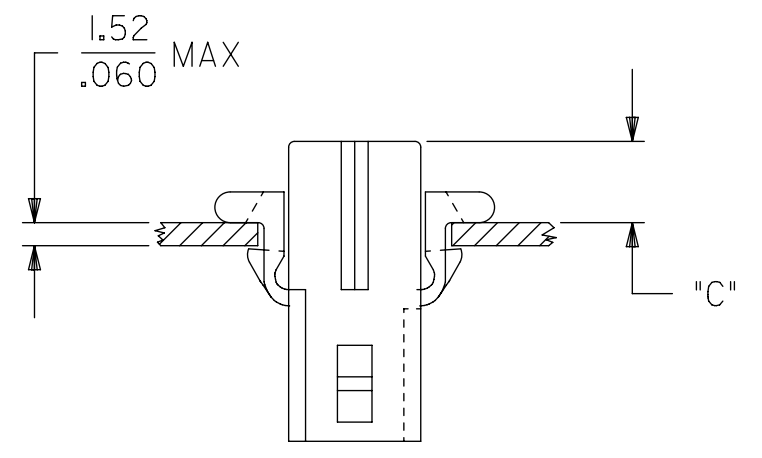
LEGEND:
 1625-6****
 CIRCUIT SIZE
 P = PLUG
 R = RECEPTACLE

BLANK = WITH STANDARD EARS
 1 = WITHOUT EARS
 2 = WITH PREBENT EARS

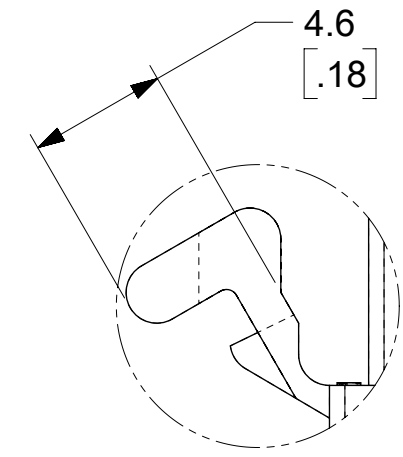
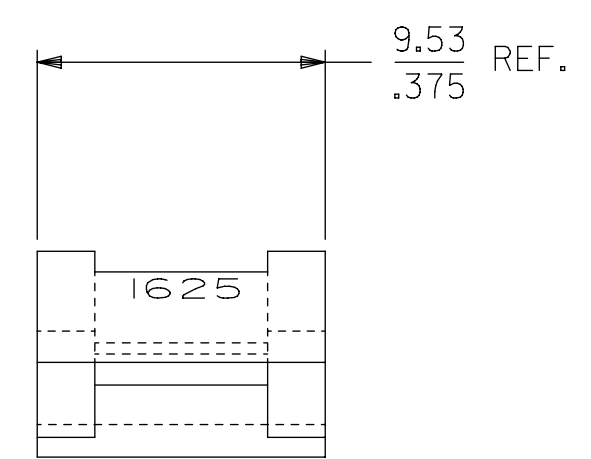
COLOR:
 BLANK = NATURAL COLOR
 AM = AMBER BK = BLACK BU = BLUE
 BN = BROWN GY = GRAY GN = GREEN
 OR = ORANGE RD = RED YW = YELLOW



DETAIL E
 1.57/(.062) STANDARD MOUNTING EAR
 SCALE 4:1



HOUSING	DIM. "A"	DIM. "B"	"C" PREBENT EAR	"C" STANDARD EAR
PLUG	15.42 / [.607]	15.62 / [.615]	5.6 / [.22]	4.6 / [.18]
RECEPTACLE	12.83 / [.505]	14.02 / [.552]	5.8 / [.23]	4.8 / [.19]



DETAIL B
 SCALE 4:1

- NOTES:**
1. MATERIAL NYLON TYPE 6/6, 94-2.
 2. FINISH: NONE.
 3. PRODUCT SPECS: MOLEX PRODUCT SPECS 02-06 APPLIES.
 4. PACKAGING SPECS: BULK PACK PK-1625-003.
 5. PARTS CONFORM TO CLASS B REQUIREMENTS OF COSMETIC SPECIFICATION PS-45499-002.

QUALITY SYMBOLS ▽ = 0 ▽ = 0 ▽ = 0 ▼ = 0 ▽ = 0 ⊠ = 0 ■ = 0 ▽ = 0	THIS DRAWING CONTAINS INFORMATION THAT IS PROPRIETARY TO MOLEX ELECTRONIC TECHNOLOGIES, LLC AND SHOULD NOT BE USED WITHOUT WRITTEN PERMISSION				DIMENSION UNITS MM/IN		SCALE 1:1																								
	EC NO: 106627 DRWN: BAPPELDORN CHKD: MKIPPER REV APPR: FSMITH		2016/07/13 2016/08/04 2016/08/25		GENERAL TOLERANCES (UNLESS SPECIFIED) <table border="1"> <tr> <th></th> <th>MM</th> <th>INCH</th> </tr> <tr> <td>4 PLACES</td> <td>±</td> <td>±</td> </tr> <tr> <td>3 PLACES</td> <td>±</td> <td>± 0.005</td> </tr> <tr> <td>2 PLACES</td> <td>± 0.13</td> <td>± 0.01</td> </tr> <tr> <td>1 PLACES</td> <td>± 0.25</td> <td>±</td> </tr> <tr> <td>0 PLACES</td> <td>±</td> <td>±</td> </tr> </table>			MM				INCH	4 PLACES	±	±	3 PLACES	±	± 0.005	2 PLACES	± 0.13	± 0.01	1 PLACES	± 0.25	±	0 PLACES	±	±	DRWN BY BAPPELDORN		DATE 2016/07/13	
		MM	INCH																												
	4 PLACES	±	±																												
3 PLACES	±	± 0.005																													
2 PLACES	± 0.13	± 0.01																													
1 PLACES	± 0.25	±																													
0 PLACES	±	±																													
ANGULAR TOL = 0.5 DRAFT WHERE APPLICABLE MUST REMAIN WITHIN DIMENSIONS		CHK'D BY MKIPPER		DATE 2016/07/13		PRODUCT CUSTOMER DRAWING																									
APPR BY FSMITH		DATE 2016/07/13		DRAWING SIZE C		THIRD ANGLE PROJECTION		SERIES: 1625 MATERIAL NUMBER: SEE CHART CUSTOMER: GENERAL MARKET																							
RELEASE STATUS: P1 RELEASE DATE: 25.08.2016 20:12:42		DOCUMENT NUMBER 16250600-SD		DOC TYPE: PSD DOC PART: 000		SHEET NUMBER 2 OF 2																									