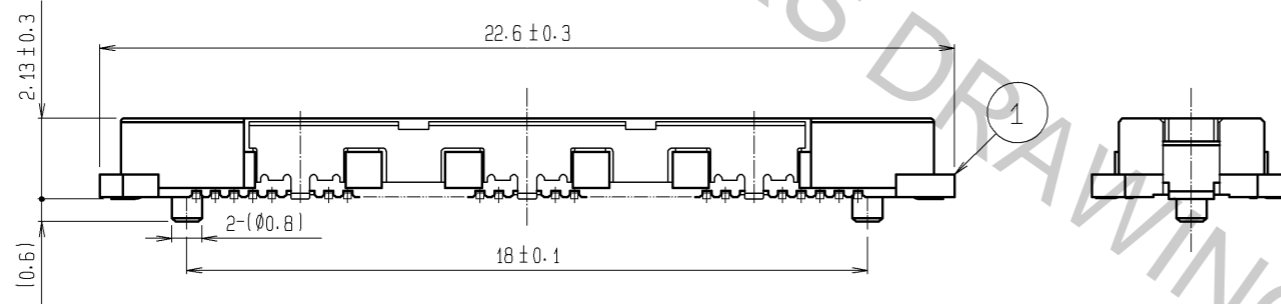
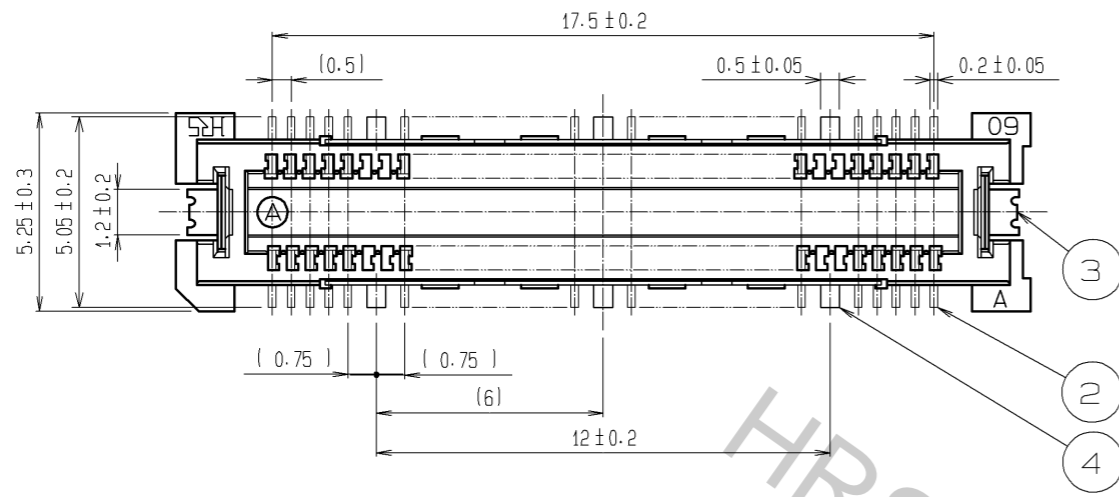
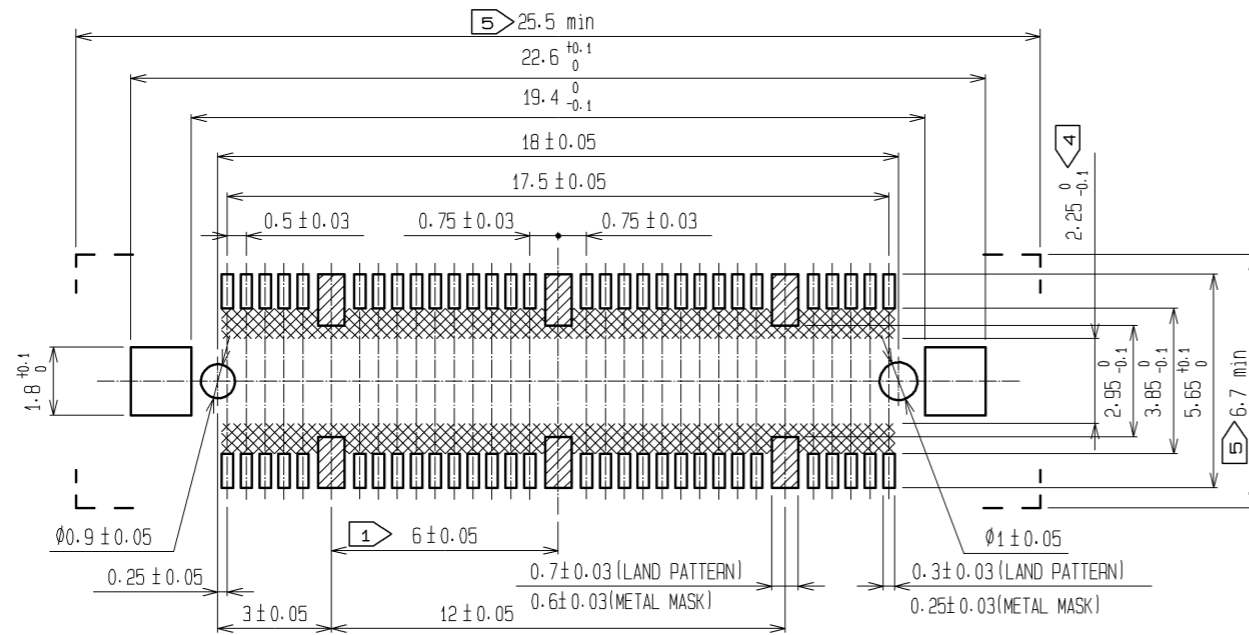


Apr.1.2017 Copyright 2017 HIROSE ELECTRIC CO., LTD. All Rights Reserved.

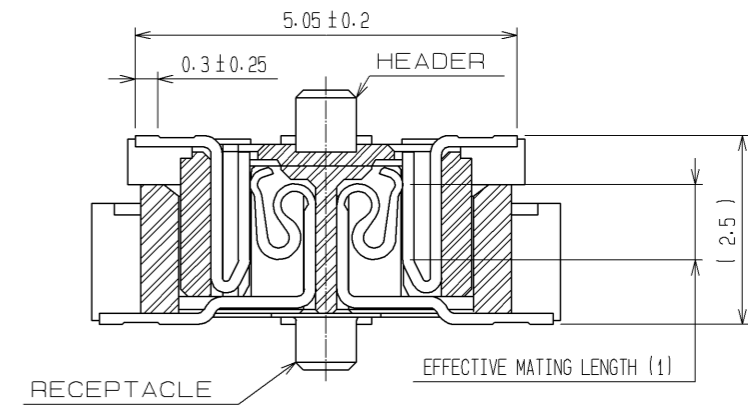


RECOMMENDED LAND PATTERN DIMENSION OF PCB

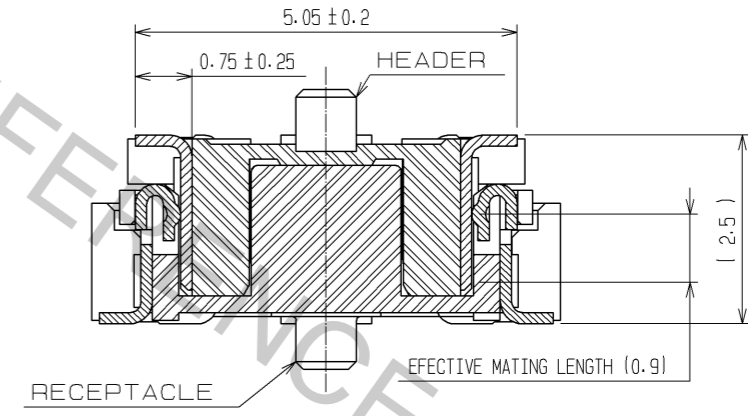


- NOTES
- ① 6 HATCHED PARTS: GROUND CIRCUIT.
 - ② SMT LEAD-COPLANARITY: 0.1 MAX.
 - ③ THIS PRODUCT HAS NO POLARITY TO PATTERN FOR MOUNTING.
 - ④ MAKE SURE WIDTH OF PATTERN IS WITHIN THAT OF LAND. OR LEAD MAY TOUCH PATTERN. (THIS APPLIES TO HATCHED AREA.)
 - ⑤ DO NOT MOUNT OTHER DEVICES ONTO [] AREA. OR MATING PAIR CANNOT BE MATED.
 - ⑥ TO BE EMBOSSED CARRIER TAPED AS SPECIFIED IN SHEET 2.
 - ⑦ THE DIMENSIONS IN PARENTHESES ARE FOR REFERENCE.

SIGNAL PORTION CROSS SECTION (10:1)

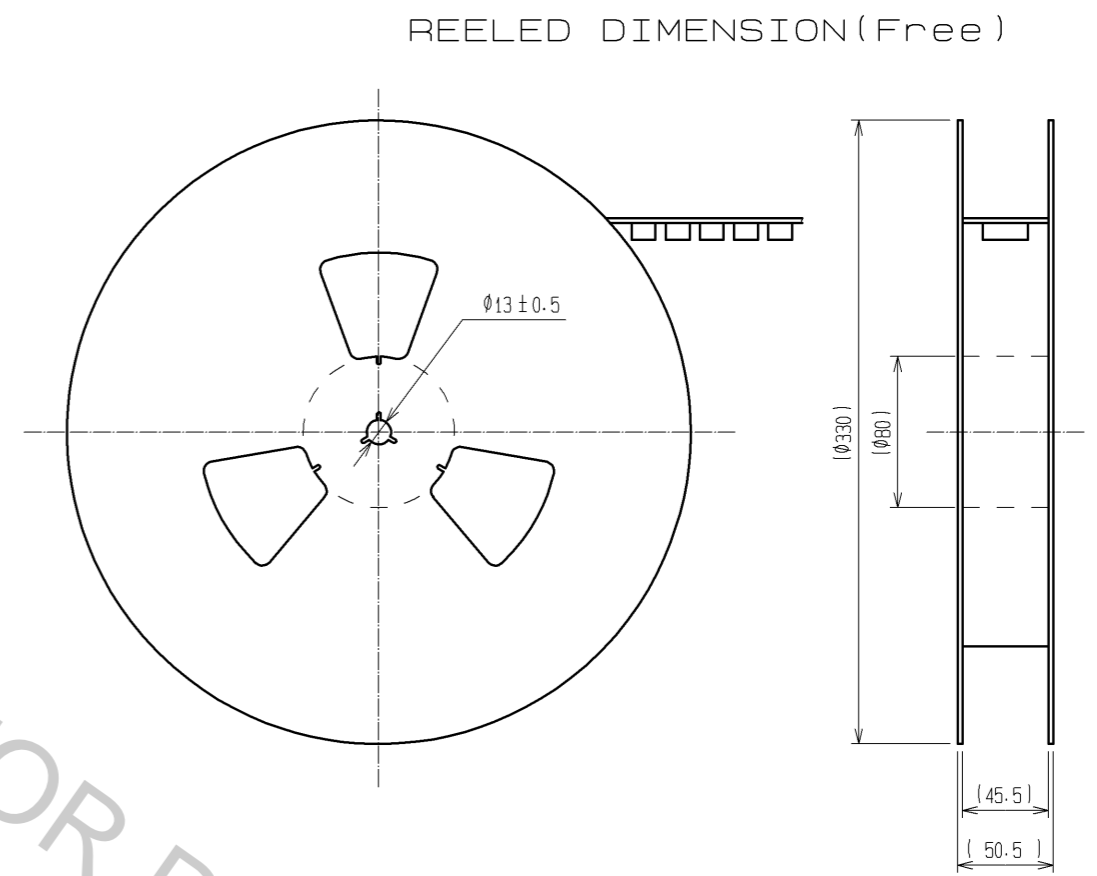
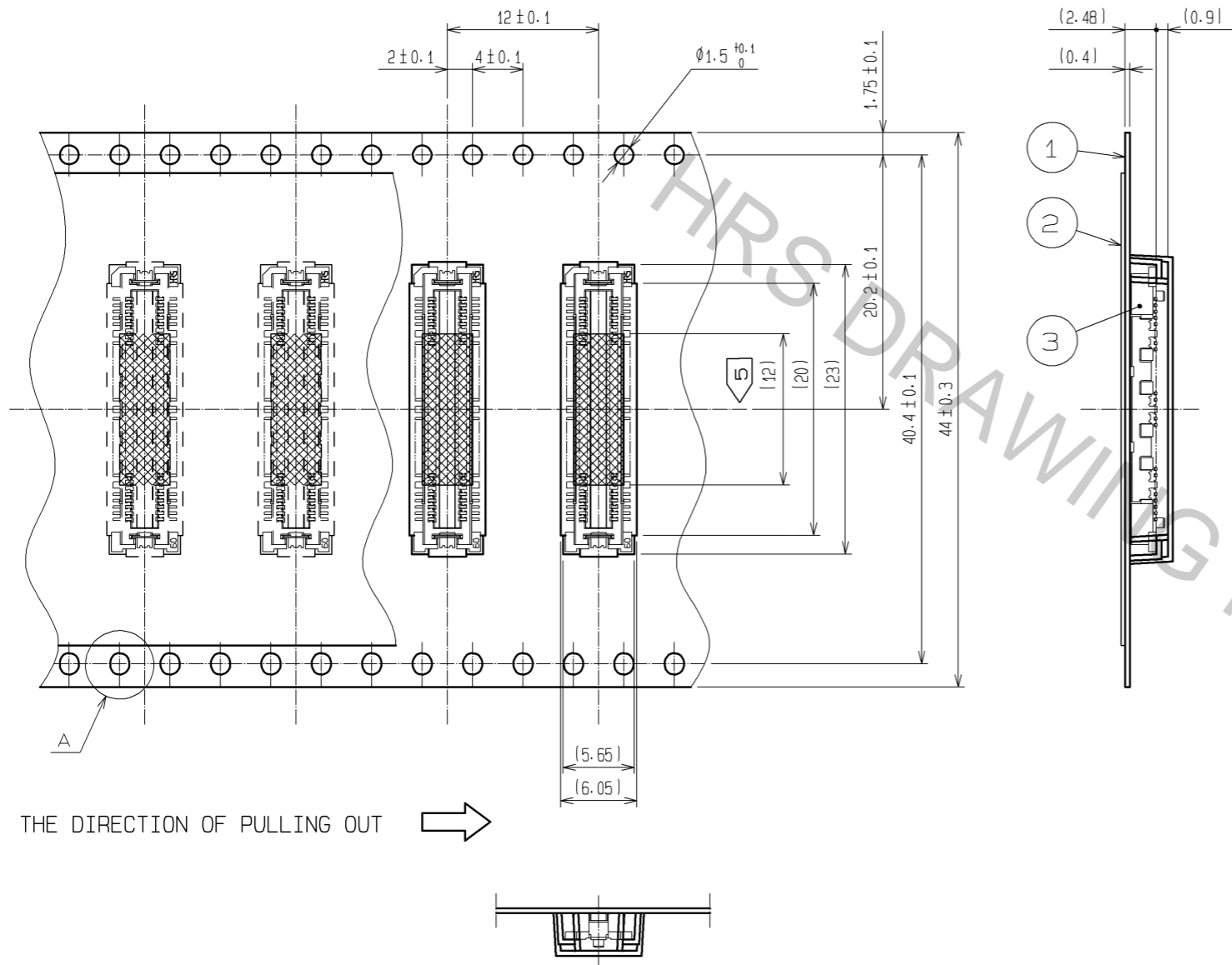


GROUND PORTION CROSS SECTION (10:1)



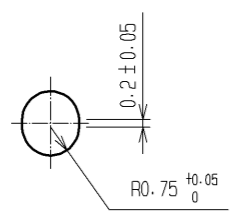
3, 4	PHOSPHOR BRONZE	TIN PLATING	2	COPPER ALLOY	CONTACT AREA : GOLD 0.1μm min.
1	LCP	BEIGE UL94V-0			LEAD AREA : GOLD FLASH
					UNDER PLATING : NICKEL 1μm min.
NO.	MATERIAL	FINISH, REMARKS	NO.	MATERIAL	FINISH, REMARKS
UNITS	mm	SCALE	5:1	COUNT	△
DESCRIPTION OF REVISIONS		DESIGNED	CHECKED	DATE	
APPROVED : HS. OKAWA		07.06.22	DRAWING NO.		EDC3-152597-22
CHECKED : HS. OZAWA		07.06.22	PART NO.		FX11A-60P/6-SV(92)
DESIGNED : KT. DOI		07.06.21	CODE NO.		CL573-0502-0-92
DRAWN : TS. MIYAKI		07.06.19			△ 1/2

DRAWING FOR PACKING

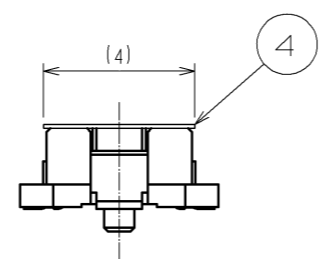


THE DIRECTION OF PULLING OUT →

A (5:1)



DETAIL FOR VACUUM PICKUP (5:1)



- NOTES
- 1 REEL : 1000 CONNECTORS.
 - 2 MINIMUM 10 COMPARTMENTS FROM BOTH REEL ENDS REMAIN EMPTY.
 - 3 THIS PRODUCT HAS NO POLARITY TO TAPE AND REEL PACKAGING.
 - 4 THE DIMENSIONS IN PARENTHESES ARE FOR REFERENCE.
 - 5 REMOVE THE VACUUM PICKUP TAPE AFTER MOUNTING THE CONNECTOR.

2	PET	TOP COVER TAPE	4	POLYIMIDE	(TAPE FOR VACUUM PICKUP)		
1	PS	EMBOSSED CARRIER TAPE	3	(CONNECTOR)			
NO.	MATERIAL	FINISH . REMARKS	NO.	MATERIAL	FINISH . REMARKS		
UNITS mm		SCALE 2 : 1		DESCRIPTION OF REVISIONS	DESIGNED	CHECKED	DATE
HRS HIROSE ELECTRIC CO., LTD.		APPROVED : HS. OKAWA	07.06.22	DRAWING NO. EDC3-152597-22			
		CHECED : HS. OZAWA	07.06.22	PART NO. FX11A-60P/6-SV(92)			
		DESIGNED : KT. DOI	07.06.21	CODE NO. CL573-0502-0-92			
		DRAWN : TS. MIYAKI	07.06.19			2/2	