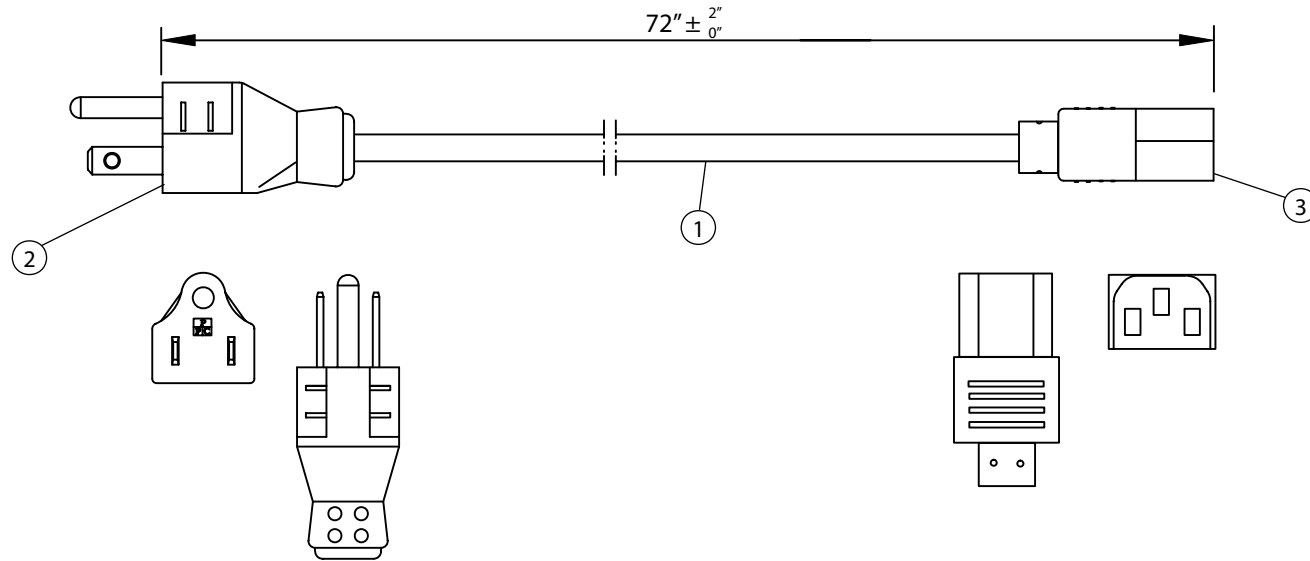


THESE DRAWINGS ARE THE PROPERTY OF QUALTEK ELECTRONICS AND NOT TO BE REPRODUCED FOR OR COMMUNICATED TO A THIRD PARTY WITHOUT THE EXPRESS WRITTEN PERMISSION OF AN OFFICER OF QUALTEK ELECTRONICS.

REVISION			
REV.	DESCRIPTION	DATE	APPROVED
B	RoHS Compliancy	06-01-06	DP
C	Updated Approvals	05-21-08	DP



NOTES:

1. CORDAGE: SVT, 18AWG / 3C, UNSHIELDED, NA COLOR CODE, TEMP. RATING: 60°C, RATING: 125V 10A, JACKET COLOR: BLACK
2. PLUG: NEMA 5-15P
3. CONNECTOR: IEC 60320 C13
4. APPROVALS: UL, CSA
5. ROHS COMPLIANT

**CONTROLLED**

Dim range (mm)		Tolerance +/- (mm)		Qualtek Electronics Corp. PPC DIVISION	
0-1		0.15		Part Number: 212099-01 <span style="border: 1px solid green; padding: 2px;">RoHS Compliant</span>	
1-6		0.20		Description: POWER CORD	
6-18		0.30		UNIT: in REV. C	
18-50		0.50		Drawn / Date	
50-120		0.70		Checked / Date	
120-250		0.90		Approved / Date	
250-500		1.20		B.ZHANG 06-01-03	
				06-01-03	
				JJH / 06-01-03	