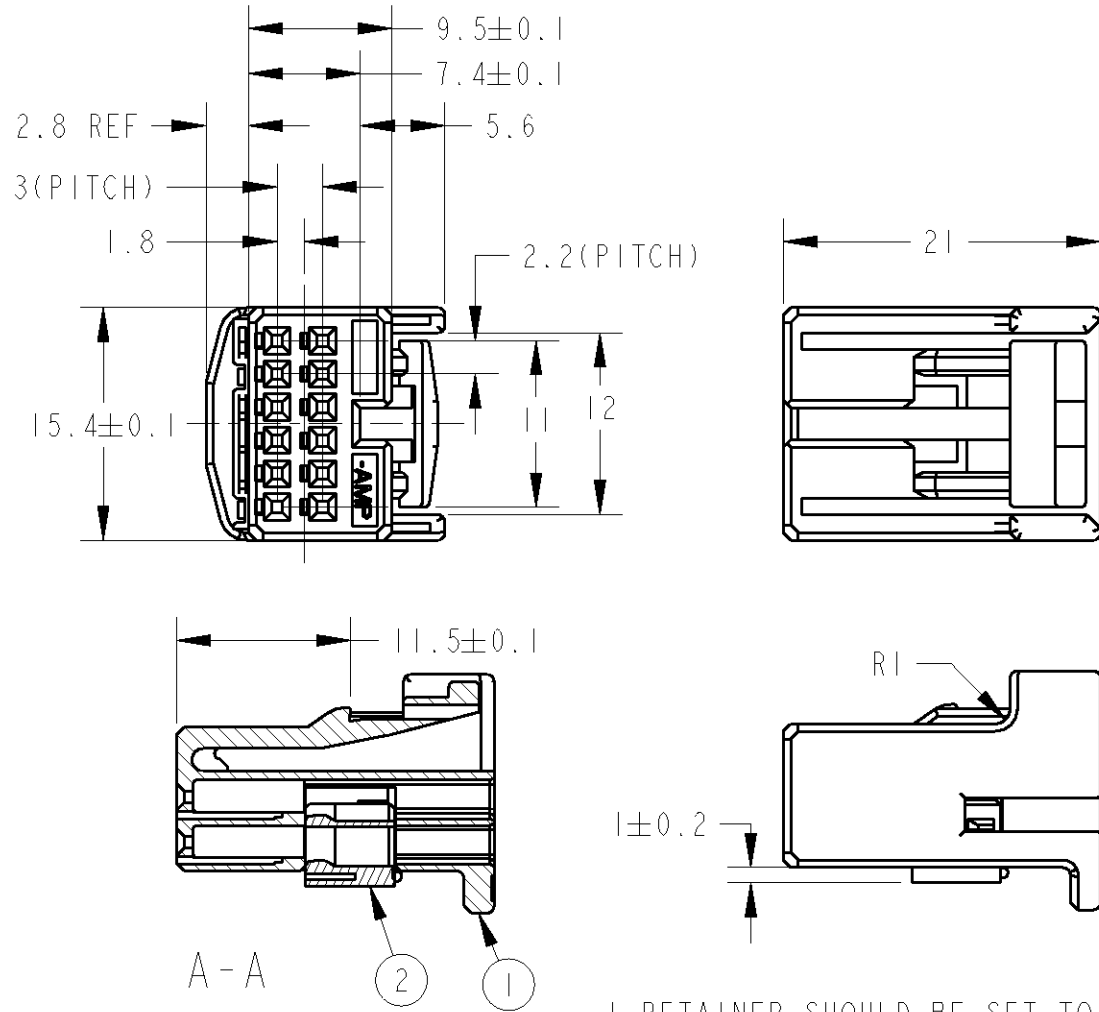


THIS DRAWING IS UNPUBLISHED. RELEASED FOR PUBLICATION
 © COPYRIGHT 2003 BY TYCO ELECTRONICS CORPORATION. ALL RIGHTS RESERVED.

LOC	DIST	REVISIONS						
		P	LTR	DESCRIPTION	ECN	DATE	DWN	APVD
J	-		0	RELEASED	FJA0-0040-03	13FEB03	AY	KA



1. RETAINER SHOULD BE SET TO THE PRE-ASSEMBLY POSITION WITHIN THE PLUG HOUSING WHEN SHIPPED TO THE CUSTOMER
2. THE RETENTION LATCH OF THE RETAINER MUST BE OUT SIDE OF PLUG HOUSING WHEN PRE-ASSEMBLY
3. INSTRUCTION SHEET NO : 411-78005
4. PART NUMBER OF CAP HOUSING TO BE MATED : 1473773
5. APPLIED TERMINAL : SEE TABLE-1

1. プラグハウジングにリテーナーを係止して出荷する
2. 係止時リテーナー突起がハウジングの外側に出ていること
3. 取扱説明書 NO : 411-78005
4. 嵌合相手型番は 1473773
5. 適用端子は TABLE-1参照

PLASTIC BAG ビニール袋	INNER 内装	PACKING STYLE 梱包形態		
PAPER BOX タンボール箱	OUTER 外表			
1	1318776-1	025 12P RETAINER	NATURAL	2
1	1565280-1	025 12P KEYING PLUG HSG	NATURAL	1
1565287-1	PART NO.	NAME	FINISH/COLOR	ITEM NO.

TABLE-1

	TERMINAL NO 端子型番	APPLICABLE WIRE RANGE 適用電線
SIGNAL 0.64	TIN	1123343-1 AVSS/CAVUS 0.3~0.5mm ² CAVS 0.22~0.5mm ²
	SELECTIVE-GOLD	1123343-2 AVSSH-f 0.3~0.5mm ²

THIS DRAWING IS A CONTROLLED DOCUMENT FOR TYCO ELECTRONICS CORPORATION
 IT IS SUBJECT TO CHANGE AND THE CONTROLLING ENGINEERING ORGANIZATION
 SHOULD BE CONTACTED FOR THE LATEST REVISION.

DIMENSIONS: 単位: 殆	TOLERANCES UNLESS OTHERWISE SPECIFIED: 一般公差 = ±0.3 0-PLC ± 1-PLC ± 2-PLC ± 3-PLC ± 4-PLC ± ANGLES ±3
MATERIAL 材料 PBT	FINISH 仕上 SEE TABLE

DWN A. YAMAGUCHI 13FEB03	Tyco Electronics AMP K.K. Kawasaki, Japan
CHK H. YAMAGAMI 13FEB03	
APVD K. ASAI 13FEB03	
PRODUCT SPEC 製品規格 108-5773	NAME 名称 0.64 SERIES CONNECTOR 12POSITION KEYING PLUG HOUSING ASSY
APPLICATION SPEC 取付適用規格	SIZE A3
WEIGHT 2.2 g	CAGE CODE 00779
CUSTOMER DRAWING	DRAWING NO 番号 1565287
	RESTRICTED TO
	SCALE 尺度 2:1
	SHEET 1 OF 1
	REV 0