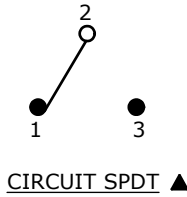
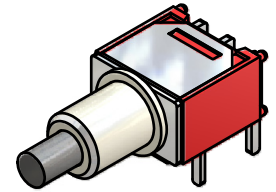


P.C. MOUNTING

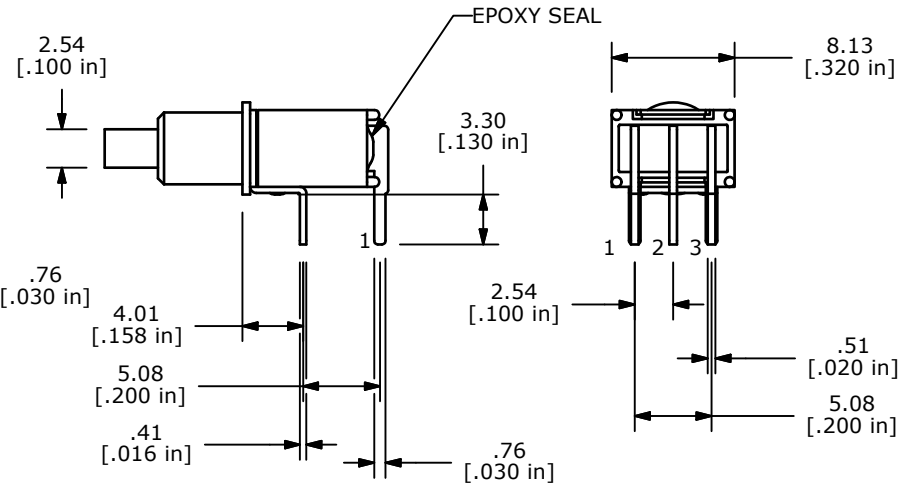
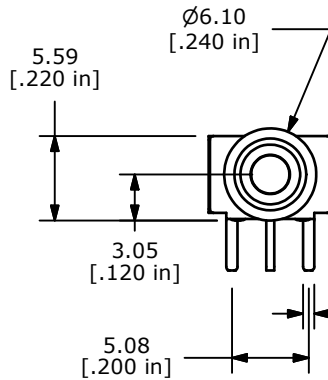
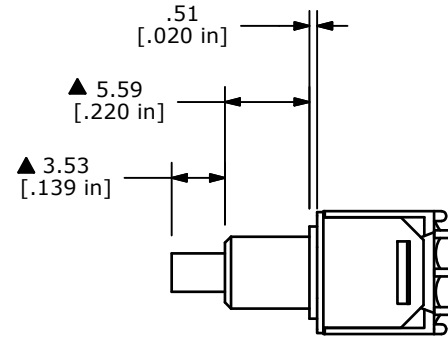


CIRCUIT SPDT ▲



SWITCH FUNCTION	
POS. 1	POS. 2
ON	(ON)
2-1	2-3

(ON)=MOMENTARY



- NOTE:
- ALL DIMENSIONS IN MM [INCH]
 - GENERAL TOLERANCE: X.X=±0.4
X.XX=±0.25
 - TERMINAL NUMBERS FOR REF ONLY
 - CONTACT MATERIAL: COPPER ALLOY W/ GOLD PLATE OVER NICKEL PLATE
 - RATING: 0.4VA @ 20V AC OR DC MAX.
 - MECHANICAL LIFE: 50,000 MAKE-AND-BREAK CYCLES
 - CONTACT RESISTANCE: 20 mΩ MAX. INITIAL @ 2-4VDC
100mA FOR BOTH GOLD AND SILVER CONTACTS
 - INSULATION RESISTANCE: 1,000 MEGA-OHM MIN.
 - ELECTRIC STRENGTH: 1,000 V RMS @SEA LEVEL.
 - OPERATING TEMP.: -30°C to 85°C
 - ▲ DENOTES CRITICAL PARAMETER.
 - 2002/95/EC (ROHS) COMPLIANT



B	20040	UPDATE DRAWING AND CONVERT	07/01/11	BMA
REV	PCR NO	DESCRIPTION	DATE	BY

TITLE 800SP8B7M6RE				
SCALE	DATE	DR	DWG	REV
2=1	7/1/2011	BO	T833039	B

THE INFORMATION CONTAINED IN THIS DOCUMENT IS PROPRIETARY TO E-SWITCH AND IS NOT TO BE COPIED OR TRANSFERRED