

- NOTES:
- MATERIALS: HOUSING - LIQUID CRYSTAL POLYMER (LCP)  
GLASS-FILLED, UL94V-0  
TERMINALS - HIGH PERFORMANCE COPPER ALLOY
  - FINISH: 30 MNCH MIN GOLD IN CONTACT AREA.  
SELECTIVE MATTE TIN ON PCB TAILS. NICKEL OVERALL.
  - REFER TO MOLEX PRODUCT SPECIFICATION PS-76060-999 FOR PERFORMANCE SPECIFICATIONS AND ADDITIONAL PCB INFORMATION.
  - EACH SIGNAL WAFER CONTAINS 2 COLUMNS OF TERMINALS.
  - SEE CHART FOR PACKAGING SPECIFICATIONS.
  - THIS PART CONFORMS TO CLASS B REQUIREMENTS OF COSMETIC SPEC PS-45499-002.
  - REFER TO MOLEX SALES DRAWING SD-170335-0002 FOR THE MATING HEADERS
  - REFER TO MOLEX ROUTING PCB ROUTING GUIDE AS-76060-990 FOR ANTIPAD AND ROUTING RECOMMENDATIONS.
  - GROUND PATHS ARE NOT DISCRETE WITHIN CONNECTOR DUE TO PRESENCE OF PLUS CLIP.
  - PART NUMBER 170390-5130 SHOWN ON DRAWING. KEYING FEATURES WILL CHANGE WITH COLUMN SIZE.
  - FOR SCREW PART NUMBER AND FUNCTIONAL BOARD THICKNESS REFER TO CHART ON SHEET 2. IN ORDER TO ACCOMMODATE ALTERNATE BOARD THICKNESSES PLEASE CONTACT MOLEX.

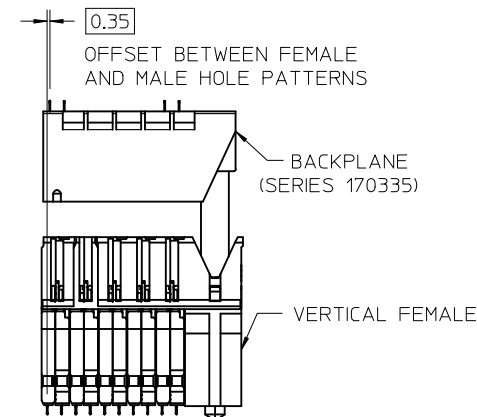
REVISED SCREW INFO EC NO: UCP2014-2428 DRAWN:PREMO 2013/12/05 CHKD:TELO 2013/12/05 APPR:TELO 2014/07/18	QUALITY SYMBOLS ▽=0 ▽=0 ▽=0	GENERAL TOLERANCES (UNLESS SPECIFIED)		DIMENSION STYLE MM ONLY		SCALE 3:1	DESIGN UNITS METRIC	THIRD ANGLE PROJECTION		
			mm	INCH	DRAWN BY JB INGHAM	DATE 2013/04/04	TITLE IMPACT 4-PAIR 85-OHM RIGHT GUIDE MEZZANINE SALES DRAWING			
		4 PLACES ± ---	± ---	± ---	CHECKED BY JLAURX	DATE 2013/04/04	DOCUMENT NO. SD-170390-0003			
		3 PLACES ± ---	± ---	± ---	APPROVED BY JLAURX	DATE 2013/04/05				
2 PLACES ± 0.13	± ---	± ---	MATERIAL NO.		THIS DRAWING CONTAINS INFORMATION THAT IS PROPRIETARY TO MOLEX INCORPORATED AND SHOULD NOT BE USED WITHOUT WRITTEN PERMISSION					
1 PLACE ± 0.25	± ---	± ---	ANGULAR ±1/2°		DRAFT WHERE APPLICABLE MUST REMAIN WITHIN DIMENSIONS					
0 PLACE ± ---	± ---	± ---	SIZE C							

PART NUMBER CHART

MATERIAL NUMBER	# OF COLUMNS	# OF DIFF PAIRS	DIM "A" MAX	DIM "B"	DIM "C"	DIM "D"	PACKAGING SPEC	SCREW P/N	FUNCTIONAL BOARD THICKNESS	HEIGHT (DIM H)
170390-5*08	8	32	22.8	13.3	15.36	19.41	PK-70873-4001	73726-0005	2.0mm TO 3.0mm	18mm STACK
170390-5*00	10	40	26.6	17.1						
170390-5*02	12	48	30.4	20.9						
170390-5*07	14	56	34.2	24.7						
170390-5*06	16	64	38.0	28.5						
170390-5*09	18	72	41.8	32.3						

MATERIAL NUMBER	# OF COLUMNS	# OF DIFF PAIRS	DIM "A" MAX	DIM "B"	DIM "C"	DIM "D"	PACKAGING SPEC	SCREW P/N	FUNCTIONAL BOARD THICKNESS	HEIGHT (DIM H)
170390-5*28	8	32	22.8	13.3	22.36	19.41	PK-70873-4002	73726-0000	1.0mm TO 5.0mm	25mm STACK
170390-5*20	10	40	26.6	17.1						
170390-5*22	12	48	30.4	20.9						
170390-5*27	14	56	34.2	24.7						
170390-5*26	16	64	38.0	28.5						
170390-5*29	18	72	41.8	32.3						

MATERIAL NUMBER	# OF COLUMNS	# OF DIFF PAIRS	DIM "A" MAX	DIM "B"	DIM "C"	DIM "D"	PACKAGING SPEC	SCREW P/N	FUNCTIONAL BOARD THICKNESS	HEIGHT (DIM H)
170390-5*38	8	32	22.8	13.3	34.36	20.65	PK-70873-0044	73726-0000	1.0mm TO 5.0mm	37mm STACK
170390-5*30	10	40	26.6	17.1						
170390-5*32	12	48	30.4	20.9						
170390-5*37	14	56	34.2	24.7						
170390-5*36	16	64	38.0	28.5						
170390-5*39	18	72	41.8	32.3						



PART NUMBER LOGIC

170390-\*\*\*

MODULE AND TAIL PLATING TYPE  
5 = GUIDE RIGHT, MATTE TIN

KEY ORIENTATION

- 0 = NO KEY
- 1 = A
- 2 = B
- 3 = C
- 4 = D
- 5 = E
- 6 = F
- 7 = G
- 8 = H

- # OF COLUMNS
- 8 = 8 COL
  - 0 = 10 COL
  - 2 = 12 COL
  - 7 = 14 COL
  - 6 = 16 COL
  - 9 = 18 COL

- STACK HEIGHT (H)
- 0 = 18mm
  - 2 = 25mm
  - 3 = 37mm

SEE SHEET 1 EC NO: UCP2014-2428 DRWN:PREMO 2013/12/05 CHKD:TELO 2013/12/05 APPR:TELO 2014/07/18	QUALITY SYMBOLS ∇=0 ∇=0 ∇=0	GENERAL TOLERANCES (UNLESS SPECIFIED) mm INCH 4 PLACES ± --- ± --- 3 PLACES ± --- ± --- 2 PLACES ± 0.13 ± --- 1 PLACE ± 0.25 ± --- 0 PLACE ± --- ± ---	DIMENSION STYLE MM ONLY DRAWN BY DATE JB INGHAM 2013/04/04 CHECKED BY DATE JLAURX 2013/04/04 APPROVED BY DATE JLAURX 2013/04/05	SCALE 2:1 DESIGN UNITS METRIC THIRD ANGLE PROJECTION	TITLE IMPACT 4-PAIR 85-OHM RIGHT GUIDE MEZZANINE SALES DRAWING <b>molex</b>	MATERIAL NO. SEE CHART DOCUMENT NO. SD-170390-0003 SHEET NO. 2 OF 2
	DRAFT WHERE APPLICABLE MUST REMAIN WITHIN DIMENSIONS		ANGULAR ±1/2°		THIS DRAWING CONTAINS INFORMATION THAT IS PROPRIETARY TO MOLEX INCORPORATED AND SHOULD NOT BE USED WITHOUT WRITTEN PERMISSION	
	A1		SIZE C			